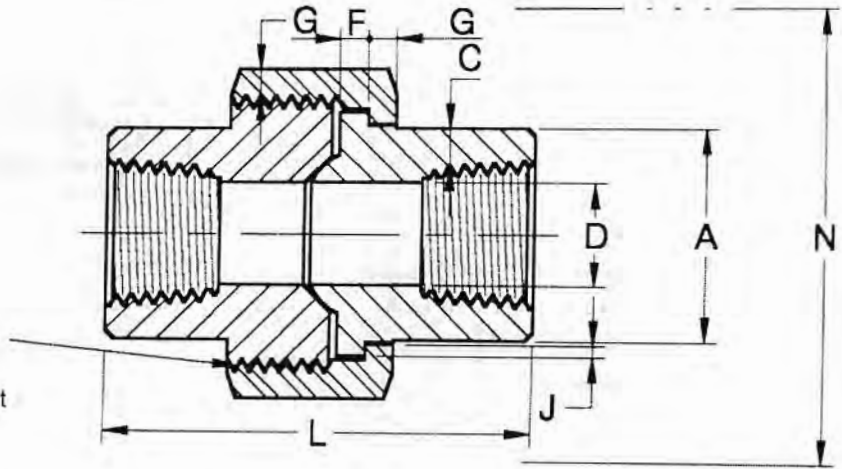




UNIONS

THREADED END MSS-SP-83-1995



H-Thrd's
Minimum 4 Full Thrd's
Engagement Class 2A/2B Fit
ANS1 B1.1

Dimensions in Millimeters.

Nom. Pipe Size	Pipe End	Wall	Water Way Bore	Male Flange	Nut	Thrds. Per 25.4mm	Bearing	Length Assem. Nom.	Clear Assem. Nut
	Min. A	Min. C	D	Min. F	Min. G	Max. H	Min. J	L	N
1/8	14.7	2.41	6.83 6.43	3.17	3.2	16	1.24	41.4	49.0
1/4	19.0	3.02	9.85 9.45	3.17	3.2	16	1.24	41.4	49.0
3/8	22.9	3.20	13.92 13.51	3.43	3.4	14	1.37	46.0	55.0
1/2	27.7	3.73	17.47 17.07	3.68	3.7	14	1.50	49.0	57.0
3/4	33.5	3.91	21.79 21.39	4.06	4.1	11	1.68	56.9	67.0
1	41.4	4.55	28.14 27.74	4.57	4.4	11	1.85	62.0	79.0
1-1/4	50.5	4.85	35.76 35.36	5.33	5.2	11	2.13	71.1	94.0
1-1/2	57.2	5.08	41.61 41.20	5.84	5.6	10	2.31	76.4	111.0
2	70.1	5.54	52.53 52.12	6.60	6.4	10	2.69	86.1	132.0
2-1/2	85.3	7.01	64.72 64.31	7.49	7.1	8	3.07	102.4	148.0
3	102.4	7.62	77.67 77.27	8.25	8.0	8	3.53	109.0	175.0