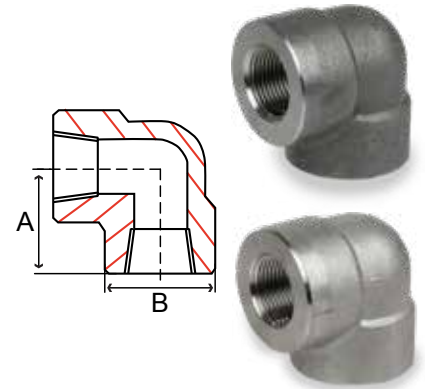


# 3000#

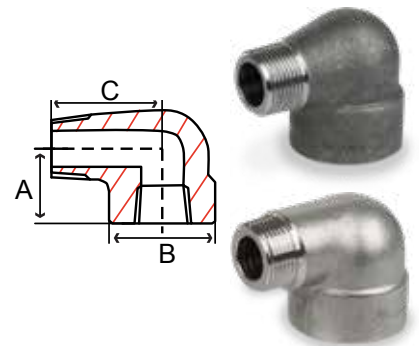
**Fig. 42E 3, S4034E & S4036E – 90° Elbow**

Size in	Part Number			A in	B in	Master	Weight lb
	Steel	304/304L	316/316L				
1/8	42E 3001	S4034E 001	S4036E 001	0.81	0.88	100	0.2
1/4	42E 3002	S4034E 002	S4036E 002	0.97	1.00	100	0.7
3/8	42E 3003	S4034E 003	S4036E 003	1.12	1.31	80	0.6
1/2	42E 3004	S4034E 004	S4036E 004	1.31	1.50	50	0.9
3/4	42E 3006	S4034E 006	S4036E 006	1.50	1.81	25	1.5
1	42E 3010	S4034E 010	S4036E 010	1.75	2.19	20	2.2
1-1/4	42E 3012	S4034E 012	S4036E 012	2.00	2.44	15	3.1
1-1/2	42E 3014	S4034E 014	S4036E 014	2.38	2.97	6	4.8
2	42E 3020	S4034E 020	S4036E 020	2.50	3.31	5	5.4
2-1/2	42E 3024	S4034E 024	S4036E 024	3.25	4.00	2	13.2
3	42E 3030	S4034E 030	S4036E 030	3.75	4.75	1	19.5
4	42E 3040	-	-	4.50	6.00	1	32.7



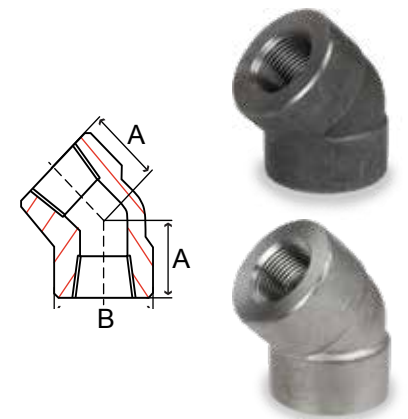
**Fig. 42SE3, S4034SE & S4036SE – 90° Street Elbow**

Size in	Part Number			A in	B in	C in	Master	Weight lb
	Steel	304/304L	316/316L					
1/8	42SE3001	S4034SE001	S4036SE001	0.75	0.75	1.25	200	0.2
1/4	42SE3002	S4034SE002	S4036SE002	0.88	1.00	1.25	150	0.2
3/8	42SE3003	S4034SE003	S4036SE003	1.00	1.25	1.50	80	0.4
1/2	42SE3004	S4034SE004	S4036SE004	1.12	1.50	1.69	50	0.6
3/4	42SE3006	S4034SE006	S4036SE006	1.38	1.75	1.94	30	1.1
1	42SE3010	S4034SE010	S4036SE010	1.75	2.00	2.31	20	2.2
1-1/4	42SE3012	S4034SE012	S4036SE012	2.00	2.44	2.69	15	2.4
1-1/2	42SE3014	S4034SE014	S4036SE014	2.12	2.75	2.81	8	4.4
2	42SE3020	S4034SE020	S4036SE020	2.50	3.31	3.38	5	6.4



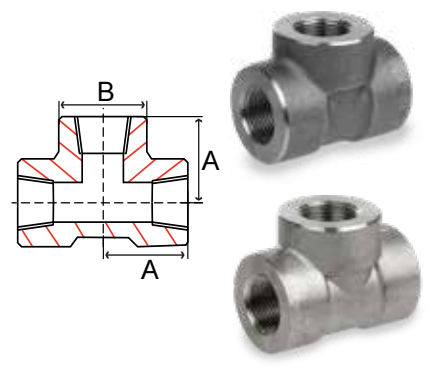
**Fig. 42F 3, S4034F & S4036F – 45° Elbow**

Size in	Part Number			A in	B in	Master	Weight lb
	Steel	304/304L	316/316L				
1/8	42F 3001	S4034F 001	S4036F 001	0.66	0.86	100	0.2
1/4	42F 3002	S4034F 002	S4036F 002	0.75	1.00	100	0.2
3/8	42F 3003	S4034F 003	S4036F 003	0.88	1.31	80	0.5
1/2	42F 3004	S4034F 004	S4036F 004	1.00	1.50	50	0.7
3/4	42F 3006	S4034F 006	S4036F 006	1.12	1.81	30	1.2
1	42F 3010	S4034F 010	S4036F 010	1.31	2.19	20	2.0
1-1/4	42F 3012	S4034F 012	S4036F 012	1.38	2.44	15	2.2
1-1/2	42F 3014	S4034F 014	S4036F 014	1.69	2.97	8	4.5
2	42F 3020	S4034F 020	S4036F 020	1.72	3.31	6	4.9
2-1/2	42F 3024	S4034F 024	S4036F 024	2.06	4.00	2	8.1
3	42F 3030	S4034F 030	S4036F 030	2.50	4.75	2	13.1
4	42F 3040	-	-	3.12	6.00	1	19.7



**Fig. 42T 3, S4034T & S4036T – Tee**

Size in	Part Number			A in	B in	Master	Weight lb
	Steel	304/304L	316/316L				
1/8	42T 3001	S4034T 001	S4036T 001	0.81	0.88	80	0.2
1/4	42T 3002	S4034T 002	S4036T 002	0.97	1.00	80	0.4
3/8	42T 3003	S4034T 003	S4036T 003	1.12	1.31	50	0.8
1/2	42T 3004	S4034T 004	S4036T 004	1.31	1.50	35	1.2
3/4	42T 3006	S4034T 006	S4036T 006	1.50	1.81	20	2.0
1	42T 3010	S4034T 010	S4036T 010	1.75	2.19	15	3.2
1-1/4	42T 3012	S4034T 012	S4036T 012	2.00	2.44	10	3.8
1-1/2	42T 3014	S4034T 014	S4036T 014	2.38	2.97	5	7.2
2	42T 3020	S4034T 020	S4036T 020	2.50	3.31	4	7.7
2-1/2	42T 3024	S4034T 024	S4036T 024	3.25	4.00	2	15.4
3	42T 3030	S4034T 030	S4036T 030	3.75	4.75	1	22.4
4	42T 3040	-	-	4.50	6.00	1	39.6



FORGED