

Type 1009 4½" & 6" Stainless Steel Gauge



- 4½" and 6" stainless steel gauges
- Dry and liquid-filled versions
- Micrometer adjustable pointer
- Variety of Bourdon tube materials
- ASME Grade 1A, ±1% of span accuracy
- New PLUS!™ Performance Option:
 - Liquid-filled performance in a dry gauge
 - Fights vibration and pulsations with out liquid-fill headaches
 - Order as option XLL

The 4½" and 6" Ashcroft® Type 1009 gauges are suitable where ambient corrosion is a major concern. Its attractive stainless steel case and ring provides excellent resistance to chemical, weather and corrosion attack. This 1009 has many optional features that allow a user to develop a basic or special product specification. The 1009 is part of the extensive line of Ashcroft stainless steel pressure gauges.

The gauge is available dry, liquid-filled weatherproof or hermetically sealed and now with PLUS!™ performance option.

PRODUCT SPECIFICATIONS

Model Number:	1009
Accuracy:	1% full scale (Grade A, ASME B40.100)
Ranges:	Vacuum – 30,000 psi
Dial Size:	4½" and 6" diameter
Case:	Open front
Case Material:	304 SS
Weather Protection:	Dry Case: IP54 Liquid filled or hermetically sealed case: IP 65
Ring Type:	304 SS, bayonet
Window:	Glass
Dial:	Aluminum, brushed aluminum background, black figures and graduations.
Pointer:	Micrometer adjustable
Movement:	400 SS (conventional)
Bourdon Tube and Socket:	Bronze/Brass (A) 316L SS/316L SS (S) Monel/Monel (P)
Connection Size:	¼", ½" NPT
Connection Location:	Lower and back
PRODUCT OPTIONS	
PLUS! Performance:	XLL
Fill:	L-Glycerin-Standard XGV-Silicone-Optional XGX-Halocarbon-Optional
Weatherproof Hermetic Seal:	XLJ
Panel Mount Front Flange:	XFF
Panel Mount U-Clamp:	XUC
Surface Mount:	XBF
Oxygen Clean:	X6B
Window	
Acrylic:	XPD
Shatterproof	
Glass:	XSG

HOW TO ORDER:

45 1009 S 02L XXX 1000#

Dial Size: 4½" _____

Case Type Number: 1009 _____

Bourdon tube and socket _____

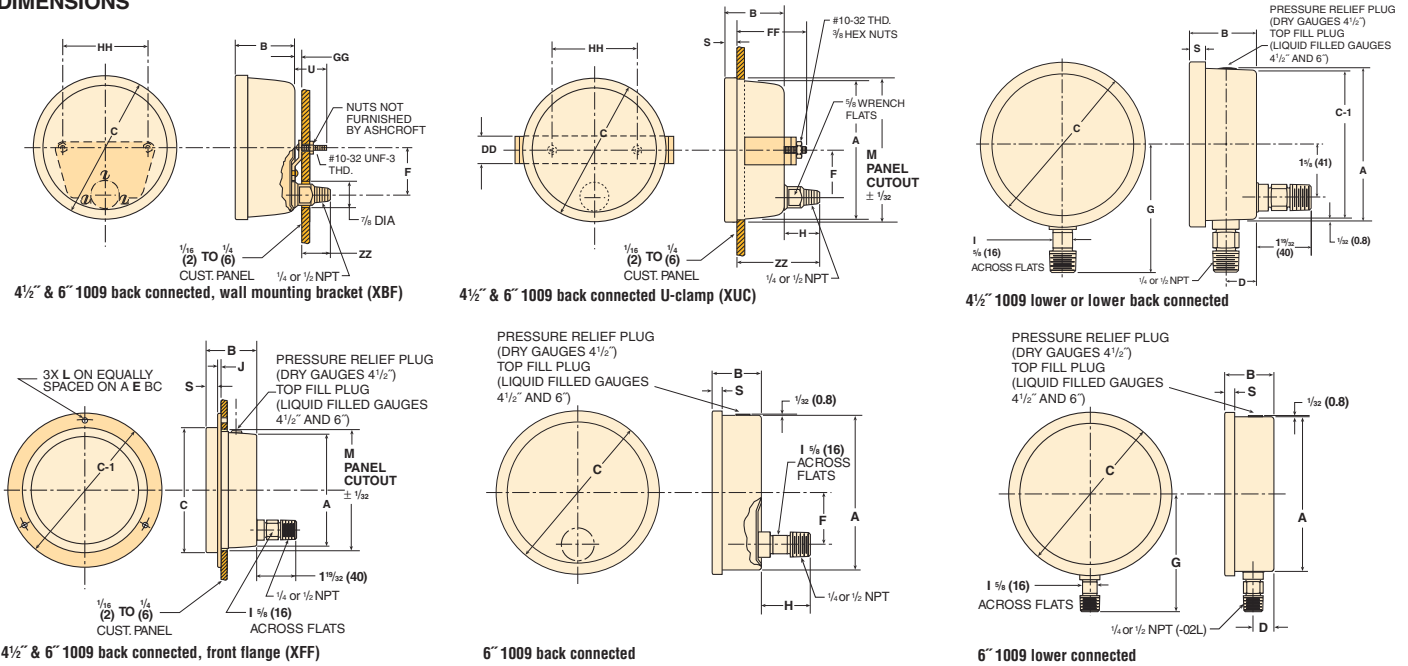
Connection: ¼ NPT (02), ½ NPT (04), Lower (L), Back (B) _____

Optional Features: _____

Standard Pressure Range _____

Type 1009 4½" & 6" Stainless Steel Gauge

DIMENSIONS



Gauge Size	A	B	C	C-1	D	DD	E	F	FF	G	GG	H	HH	I	J	L	M	S	U	ZZ	Weight	
																					Dry	LF
4½ (100)	4 ²³ / ₃₂ (120)	2 ¹ / ₁₆ (52)	5 ³ / ₃₂ (129)	6 ⁹ / ₃₂ (160)	1 ¹⁵ / ₁₆ (24)	1 (25)	5 ¹¹ / ₁₆ (144)	1 ⁵ / ₈ (41)	2 ⁵ / ₁₆ (59)	3 ¹⁵ / ₁₆ (100)	3 ³ / ₁₆ (5)	1 ¹⁵ / ₈ (41)	3 (76)	5 ⁵ / ₈ (16)	5 ⁷ / ₃₂ (4)	7 ⁷ / ₃₂ (6)	4 ¹³ / ₁₆ (122)	1 ¹⁵ / ₃₂ (12)	1 ¹⁷ / ₁₆ (37)	3 ³ / ₃₂ (83)	1.75# .79kg	2.40# 1.1kg
6 (160)	6 ⁵ / ₁₆ (160)	2 (51)	6 ²¹ / ₃₂ (169)	7 ⁵ / ₈ (194)	2 ²⁷ / ₃₂ (22)	1 (25)	7 ⁷ / ₃₂ (179)	1 ⁵ / ₈ (41)	2 ⁵ / ₈ (67)	4 ¹³ / ₁₆ (122)	3 ³ / ₁₆ (5)	1 ¹⁵ / ₈ (41)	4 ¹ / ₂ (114)	5 ⁵ / ₈ (16)	1 ¹ / ₁₆ (2)	1 ¹ / ₄ (7)	6 ⁷ / ₁₆ (163)	1 ¹³ / ₃₂ (10)	1 ¹⁷ / ₁₆ (37)	3 ³ / ₁₆ (81)	2.25# 1kg	4.12# 1.85kg

Note: Dimensions in brackets () are millimeters.

Standard Ranges (Metric equivalents available)

Pressure - psi			
Range	Figure Interval	Minor Graduation	
0/15	1	0.1	
0/30	5	0.2	
0/60	5	0.5	
0/100	10	1	
0/160	20	2	
0/200	20	2	
0/300	50	2	
0/400	50	5	
0/600	50	5	
0/800	100	10	
0/1000	100	10	
0/1500	200	20	
0/2000	200	20	
0/3000	500	20	
0/5000	500	50	
0/6000	500	50	
0/10,000	1000	100	
0/20,000	2000	200	
0/30,000	5000	200	

Compound				
Range	Figure Interval		Minor Grads	
	in Hg	psi	in Hg	psi
30" Hg/15 psi	5	3	0.5	0.2
30" Hg/30 psi	10	5	1	0.5
30" Hg/60 psi	10	10	1	1
30" Hg/100 psi	10	10	2	1
30" Hg/150 psi	10	20	5	2
30" Hg/200 psi	30	20	5	2
30" Hg/300 psi	30	50	5	2

Vacuum		
Range	Figure Interval	Minor Grads
30/0 in. Hg	5 in	0.2 in
34/0 ft H ₂ O	5 ft	0.5 ft

Bourdon System Selection					
Ordering Code	Bourdon Tube & Tip Material (all joints TIG welded except "A")	Socket Material	Tube Type	Range Selection Limits (psi)	NPT Conn. ⁽²⁾
A	Phosphor Bronze Tube-Brass Tip, Silver Brazed	Brass	C-Tube	12/1000	¼, ½
S	316L stainless steel	316L stainless steel	C-Tube	12/1500	¼, ½
			Helical	2000/20,000	¼, ½
P ⁽³⁾	K Monel	Monel 400	C-Tube	15/1500	¼, ½
			Helical	2000/30,000	¼, ½ ⁽⁴⁾

- NOTES:**
- (2) Other connections available on application.
 - (3) See Ashcroft product information page ASH/PI60 for compliance to NACE.
 - (4) 30,000 psi range supplied with ¼ high pressure connection, ½ NPT optional.