


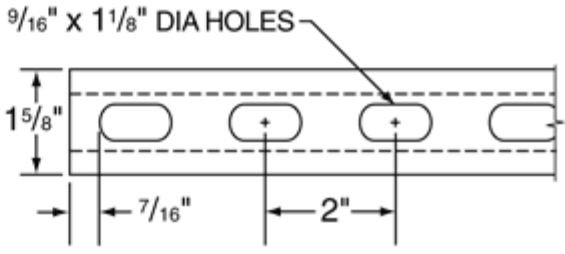

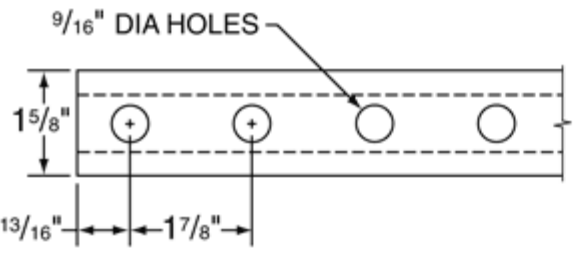



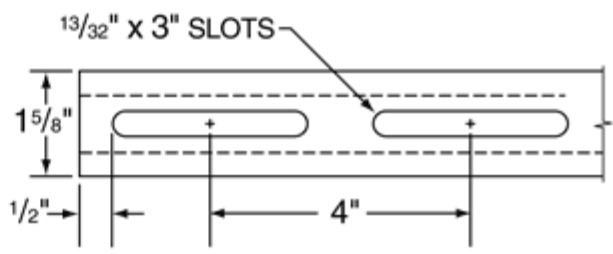
**LEGEND:**


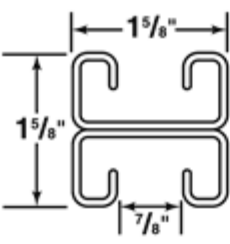
**GR:** Powder Coated Supr-Green **EG:** Electro-Galvanized **PG:** Pre-Galvanized **AL:** Aluminum **HG:** Hot Dipped Galvanized **PL:** Plain **SS:** Stainless Steel **ZTC:** Zinc Trivalent Chromium  
 For Stainless Steel (SS), Zinc Trivalent Chromium (ZTC) and Hot Dipped Galvanized (HG), refer to pages 76-81 in the Specialty Strut Section.

<b>AS 500</b>	<b>PL, GR, PG</b>	
<b>SOLID</b>		
		
Wt./100 Ft: 97 lbs.		

<b>AS 500EH</b>	<b>PL, GR, PG</b>	
<b>WITH ELONGATED HOLES</b>		
		
Wt./100 Ft: 87 lbs.		

<b>AS 500H</b>	<b>PL, GR, PG</b>	
<b>WITH HOLES</b>		
		
$\frac{3}{4}$ " dia. holes available AS 500H MOD Wt./100 Ft: 87 lbs.		

<b>AS 500S</b>	<b>PL, GR, PG</b>	
<b>WITH LONG SLOTS</b>		
		
Wt./100 Ft: 87 lbs.		

<b>AS 500BTB</b>	<b>PL, GR, PG</b>	
<b>WELDED</b>		
		
Wt./100 Ft: 194 lbs.		