

Fig. 135: Straight with Sight-Hole

Rod Coupling

Fig. 135E: Straight Less Sight-Hole

Fig. 135R: Reducing

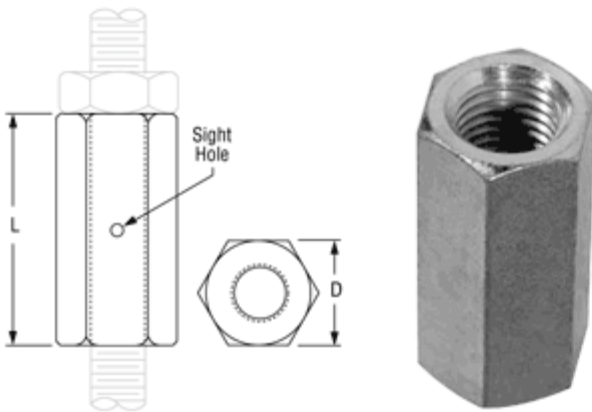
Size Range: 1/4" through 1"

Material: Carbon steel

Finish: Fig. 135: Plain; Fig.135E and Fig.135R Galvanized

Service: For connecting rods to accommodate up to 1" diameter and support up to 5,900 pounds.

Ordering: Specify rod size, figure number and name.



| FIG 135, 135E, 135R: LOADS (LBS) • WEIGHTS (LBS) • DIMENSIONS (IN) | | | | |
|---|----------|--------|--------|-------|
| Rod Size A | Max Load | Weight | D | L |
| Fig. 135: Straight With Sight-Hole | | | | |
| 3/8 | 730 | 0.09 | 5/16 | 1 1/8 |
| 1/2 | 1,350 | 0.12 | 3/4 | 1 1/2 |
| 5/8 | 2,160 | 0.24 | 15/16 | 1 7/8 |
| 3/4 | 3,230 | 0.42 | 1 1/8 | 2 1/4 |
| 7/8 | 4,480 | 0.66 | 1 5/16 | 2 5/8 |
| 1 | 5,900 | 1.00 | 1 1/2 | 3 |
| Fig. 135E: Straight Less Sight-Hole | | | | |
| 1/4 | 240 | 0.03 | 3/8 | 7/8 |
| 3/8 | 730 | 0.09 | 5/8 | 1 1/8 |
| 1/2 | 1,350 | 0.14 | 1 1/16 | 1 3/4 |
| 5/8 | 2,160 | 0.26 | 13/16 | 2 1/8 |
| 3/4 | 3,230 | 0.34 | 1 | 2 1/4 |
| 7/8 | 4,480 | 0.55 | 1 1/4 | 2 1/2 |
| 1 | 5,900 | 0.75 | 1 3/8 | 2 3/4 |
| Fig. 135R: Reducing | | | | |
| 3/8 x 1/4 | 240 | 0.13 | 5/8 | 1 1/2 |
| 1/2 x 3/8 | 730 | 0.13 | 1 1/16 | 1 1/4 |
| 5/8 x 1/2 | 1,350 | 0.19 | 13/16 | 1 1/4 |
| 3/4 x 5/8 | 2,160 | 0.26 | 1 | 1 1/2 |
| 7/8 x 3/4 | 3,230 | 0.41 | 1 1/4 | 1 3/4 |

Fig. 136: straight

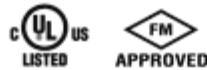


Fig. 136R: Reducing



Rod Coupling

Size Range: 1/4" through 1"

Material: Malleable iron

Finish: Plain or Galvanized

Service: For connecting rod lengths within limitation.

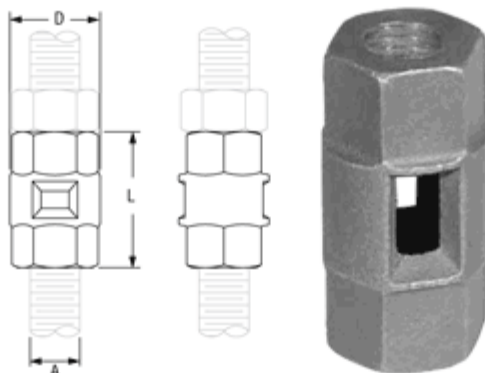
Approvals: Fig. 136: UL, ULC Listed (3/8" - 7/8" rod size) and FM Approved (3/8" and 1/2" rod size). Fig. 136R: UL Listed (1/2" and 3/8" rod size).

Features:

- Available in reducing sizes.
- Provides visual inspection of thread engagement.
- Uniform strength; good appearance.

Ordering: Specify rod tapping size, figure number and name.

Furnished with right-hand UNC threads only.



| FIG. 136, 136R: LOADS (LBS) • WEIGHTS (LBS) • DIMENSIONS (IN) | | | | |
|--|----------|--------|--------|---------|
| Rod Size A | Max Load | Weight | L | D |
| Straight: Fig. 136 | | | | |
| 1/4 | 230 | 0.06 | 1 3/8 | 5/8 |
| 3/8 | 730 | 0.10 | 1 1/2 | 1 1/16 |
| 1/2 | 1,350 | 0.20 | 2 1/8 | 15/16 |
| 5/8 | 2,160 | 0.33 | 2 1/2 | 1 1/8 |
| 3/4 | 3,230 | 0.44 | 2 5/8 | 1 1/4 |
| 7/8 | 4,480 | 0.96 | 3 1/16 | 1 5/8 |
| 1 | 5,900 | 0.94 | 2 3/4 | 1 13/16 |
| Reducing: Fig. 136R | | | | |
| 3/8 x 1/4 | 230 | 0.10 | 1 1/2 | 1 1/8 |
| 1/2 x 3/8 | 730 | 0.21 | 2 1/8 | 2 1/8 |