

# Fig. 114

## Turnbuckle Adjuster

**Size Range:** 1/4" through 3/4"

**Material:** Malleable iron

**Finish:** Plain

**Installation:** Normally used with split pipe ring, Fig. 108, see page 30.

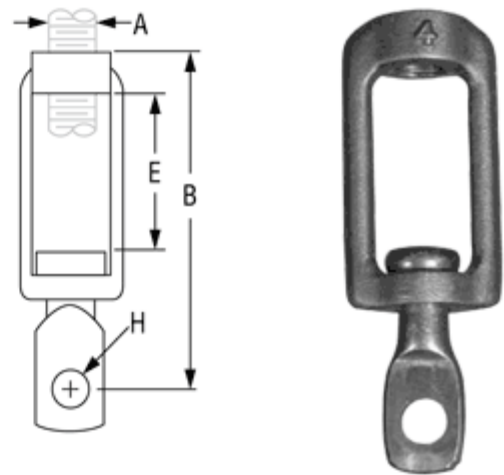
**Approvals:** Complies with Federal Specification A-A-1192A (Type 15), WW-H-171-E (Type 15), ANSI/MSS SP-69 and MSS SP-58 (Type 15).

**Maximum Temperature:** 450° F

**Features:**

- An economical and simple means of obtaining vertical adjustment and flexibility at the pipe connection.
- Permits adjustment after pipe is in place.

**Ordering:** Specify rod size, figure number and name.



**FIG. 114: LOADS (LBS) • WEIGHTS (LBS) • DIMENSIONS (IN)**

Rod Size A	Max Load	Weight	B	E	H
1/4	730	0.09	2 1/2	1 1/4	7/32
3/8		0.28		1 7/8	1 13/32
1/2		0.31	4 7/8		
5/8		0.72		3/4	
3/4	860	0.70		2 5/16	9/16

# Fig. 110R

## Socket, Rod Threaded

**Size Range:** 1/4" through 7/8"

**Material:** Malleable iron

**Finish:** Plain

**Service:** For attaching hanger rod to various types of building attachments

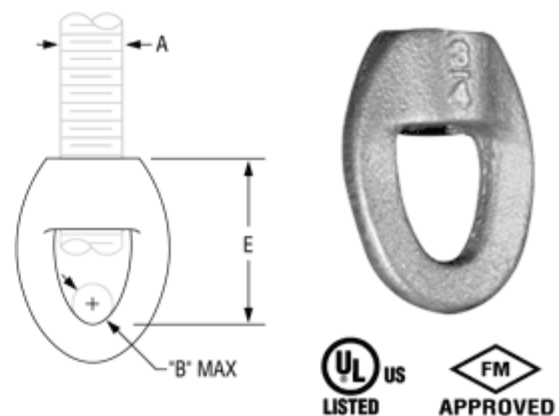
**Maximum Temperature:** 450° F

**Approvals:** Complies with Federal Specification A-A-1192A (Type 16) WW-H-171-E (Type 16), ANSI/MSS SP-69 and MSS SP-58 (Type 16).

UL Listed (Sizes 3/8" - 7/8") and FM Approved (Sizes 3/8" and 1/2").

**Installation:** Normally used with the split pipe ring Fig. 108, see page 30.

**Ordering:** Specify rod tapping size, figure number and name.



**FIG. 110R: LOADS (LBS) • WEIGHTS (LBS) • DIMENSIONS (IN)**

Rod Size A	Max Load	Weight	B	E
1/4	650	0.05	1/4	1 1/8
3/8	800	0.07		1 11/32
1/2	1,000	0.13		1 17/32
5/8	1,400	0.19	3/8	1 13/16
3/4	2,200	0.31	1/2	2 5/32
7/8	2,300	0.44		2 11/32