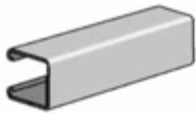


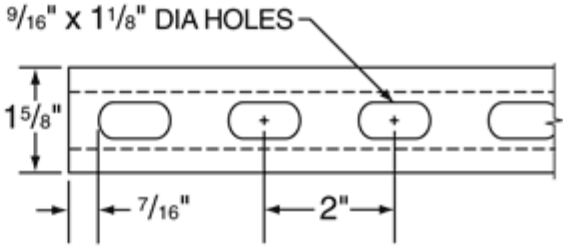

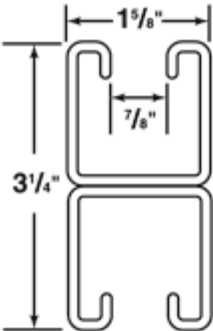



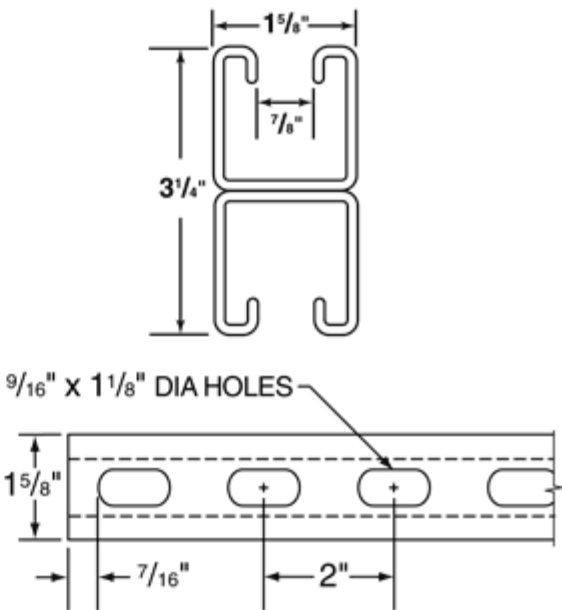
LEGEND:

GR: Powder Coated Supr-Green **EG:** Electro-Galvanized **PG:** Pre-Galvanized **AL:** Aluminum **HG:** Hot Dipped Galvanized **PL:** Plain **SS:** Stainless Steel **ZTC:** Zinc Trivalent Chromium

AS 200	SS, ZTC, HG	
SOLID		
		
Wt./100 Ft: 190 lbs.		

AS 200EH	SS, ZTC, HG	
WITH ELONGATED HOLES		
		
Wt./100 Ft: 185 lbs.		

AS 200BTB	SS, ZTC, HG	
WELDED		
		
Wt./100 Ft: 380 lbs.		

AS 200EH BTB	SS, ZTC, HG	
WELDED WITH ELONGATED HOLES		
		
Wt./100 Ft: 380 lbs.		