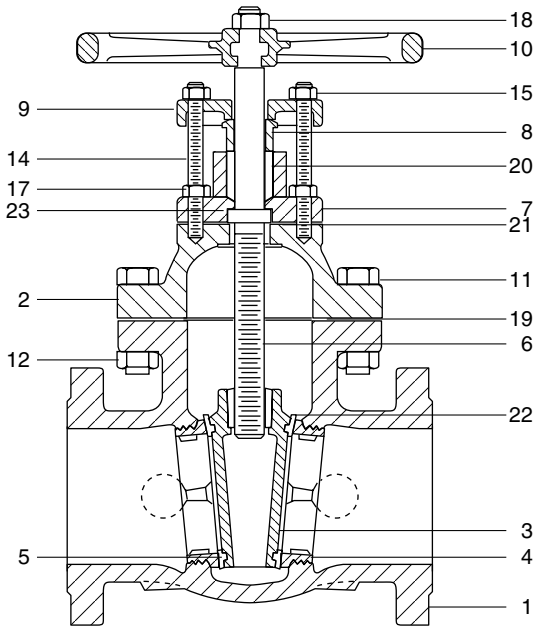


## Class 250 • Bolted Bonnet • N-R Stem • Bronze Trim • Flanged

### 3E Gate Valve



#### Industry Standards

MSS SP-70, Type 1

### Materials of Construction

| No. | Description                | Material   | ASTM              |
|-----|----------------------------|--|-------------------|
| 1   | Body                       | Cast Iron  | A126 Class B      |
| 2   | Bonnet                     | Cast Iron  | A126 Class B      |
| 3   | Disc                       | Bronze (2" - 4")                                   | B584 C84400       |
|     |                            | Cast Iron (6" - 12")                               | A126 Class B      |
| 4   | Seat Ring                  | Bronze   | B584 C84400       |
| 5   | Disc Ring                  | Bronze (6" - 12")                                  | B584 C84400       |
| 6   | Stem                       | Manganese Bronze (2" - 8")                         | B584 C86400       |
|     |                            | Naval Brass (10')                                  | B21 C48500        |
|     |                            | Manganese Bronze (12')                             | B138 67500        |
| 7   | Stuffing Box               | Ductile Iron (2" - 4')                             | A536 Gr. 65-45-12 |
|     |                            | Cast Iron (6" - 12')                               | A126 Class B      |
| 8   | Gland                      | Ductile Iron (2" - 4')                             | A536 Gr. 65-45-12 |
|     |                            | Bronze (6" - 12')                                  | B584 C84400       |
| 9   | Gland Flange               | Ductile Iron (6" - 12')                            | A536 Gr. 65-45-12 |
| 10  | Handwheel                  | Ductile Iron                                       | A536 Gr. 65-45-12 |
| 11  | Bonnet Bolts               | Carbon Steel                                       | A307 Gr. B        |
| 12  | Bonnet Bolt Nuts           | Carbon Steel                                       | A563 Gr. A        |
| 13  | Stuffing Box Bolts*        | Carbon Steel                                       | A307 Gr. B        |
| 14  | Gland Studs                | Carbon Steel (2 1/2" - 6")                         | A108              |
|     |                            | Carbon Steel (2", 8" - 12")                        | A307 Gr. B        |
| 15  | Gland Stud or Bolt Nuts    | Steel Zinc-Plated                                  | A563 Gr. A        |
| 16  | Stuffing Box Studs*        | Carbon Steel                                       | A108              |
| 17  | Stuff Box Stud - Bolt Nuts | Carbon Steel                                       | A563 Gr. A        |
| 18  | Handwheel Nut              | Carbon Steel                                       | A563 Gr. A        |
| 19  | Bonnet Gasket              | Aramid Fibers with SBR Binder                      |                   |
| 20  | Packing                    | Braided Flexible Graphite with Corrosion Inhibitor |                   |
| 21  | Stuffing Box Gasket        | Aramid Fibers with SBR Binder                      |                   |
| 22  | Disc Bushing               | Bronze   | B21 C48200        |
| 23  | Identification Plate       | Aluminum   |                   |

\* Not shown

See page 5 for Pressure Temperature Ratings

### Dimensions and Weights

Inches (millimeters) - Pounds (kilograms)

| Valve Size | Dimensions |       |       | WT    |
|------------|------------|-------|-------|-------|
|            | B          | C     | M     |       |
| 2          | 11.94      | 8.00  | 8.50  | 47    |
|            | (303)      | (203) | (216) | (21)  |
| 2 1/2      | 12.94      | 8.00  | 9.50  | 84    |
|            | (328)      | (203) | (241) | (38)  |
| 3          | 14.50      | 10.00 | 11.12 | 113   |
|            | (368)      | (254) | (282) | (51)  |
| 4          | 17.38      | 12.00 | 12.00 | 175   |
|            | (441)      | (305) | (305) | (79)  |
| 6          | 23.00      | 16.00 | 15.88 | 335   |
|            | (584)      | (406) | (403) | (151) |
| 8          | 30.75      | 20.00 | 16.50 | 545   |
|            | (781)      | (508) | (419) | (246) |
| 10         | 36.00      | 22.00 | 18.00 | 854   |
|            | (914)      | (559) | (457) | (385) |
| 12         | 39.75      | 24.00 | 19.75 | 1250  |
|            | (1010)     | (610) | (502) | (563) |

