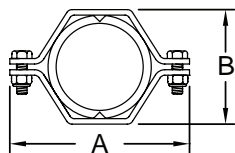


Tube Hex Hangers

Hex Hanger with ABS Sleeve - B24PS

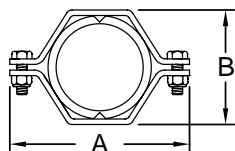
- ABS sleeve maximum temperature: 230°F



Tube OD	A	B	304 Stainless Steel Part Number
1/2"	2.800	1.150	B24PS-G50
3/4"	2.800	1.150	B24PS-G75
1"	3.425	1.450	B24PS-G100
1 1/2"	4.000	2.125	B24PS-G150
2"	4.500	2.500	B24PS-G200
2 1/2"	4.950	3.125	B24PS-G250
3"	5.500	3.750	B24PS-G300
4"	6.950	4.750	B24PS-G400
5"	8.063	5.625	B24PS-G500
6"	9.250	6.625	B24PS-G600
8"	11.500	8.625	B24PS-G800
10"	14.500	10.500	B24PS-G1000
12"	16.625	13.000	B24PS-G1200

Hex Hanger with High Temperature Sleeve - B24HS

- High temperature sleeve maximum temperature: 325°F



Tube OD	A	B	304 Stainless Steel Part Number
1/2"	2.375	1.062	B24HS-G50
3/4"	2.625	1.188	B24HS-G75
1"	2.688	1.563	B24HS-G100
1 1/2"	3.625	2.125	B24HS-G150
2"	4.625	2.625	B24HS-G200
2 1/2"	4.813	3.125	B24HS-G250
3"	5.375	3.625	B24HS-G300
4"	6.625	4.625	B24HS-G400
6"	9.000	6.625	B24HS-G600

Sleeves - 13*S

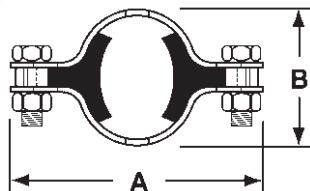
- ABS sleeve maximum temperature: 230°F
- High temperature sleeve maximum temperature: 325°F



Size	ABS Part Number	High Temperature Part Number
1/2"	13PS-50	13HS-50
3/4"	13PS-75	13HS-75
1"	13PS-100	13HS-100
1 1/2"	13PS-150	13HS-150
2"	13PS-200	13HS-200
2 1/2"	13PS-250	13HS-250
3"	13PS-300	13HS-300
4"	13PS-400	13HS-400
5"	13PS-500	---
6"	13PS-600	13HS-600
8"	13PS-800	---
10"	13PS-1000	---
12"	13PS-1200	---

Round Hanger with Nitrile Inserts - B24RPH

- Nitrile inserts maximum temperature: 230°F
- All hex and round style hangers can be equipped with the following coupler options: 3/8 NPT or all thread: 3/8-16 or 1/2-13

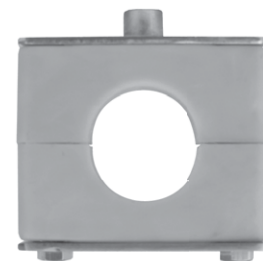
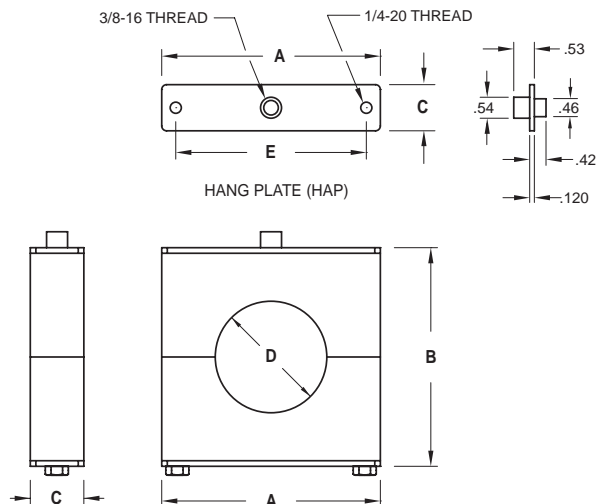


Tube OD	A	B	304 Stainless Steel Part Number
1/2"	2.750	1.125	B24RPH-G50
3/4"	2.750	1.125	B24RPH-G75
1"	3.310	1.500	B24RPH-G100
1 1/2"	3.810	2.000	B24RPH-G150
2"	4.250	2.562	B24RPH-G200
2 1/2"	5.000	3.000	B24RPH-G250
3"	5.500	3.562	B24RPH-G300
4"	6.500	4.688	B24RPH-G400

Tube Block Hangers

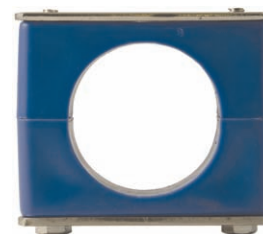
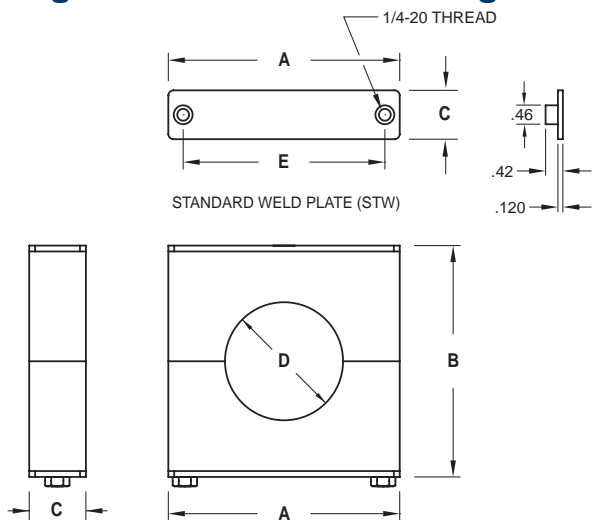
- Santoprene (SP) - FDA approved material, maximum temperature 302°F
- Polypropylene (PP) - maximum temperature 212°F

Block Hanger with Hang Plate Design - B24**HAP



Tube OD	A	B	C	D	E	Polypropylene Part Number	Santoprene Part Number
1/2"	1.84	1.70	1.19	0.50	1.33	B24PPHAP-G50	B24SPHAP-G50
3/4"	1.84	1.70	1.19	0.75	1.33	B24PPHAP-G75	B24SPHAP-G75
1"	3.33	2.85	1.19	1.00	2.55	B24PPHAP-G100	B24SPHAP-G100
1 1/2"	3.33	2.85	1.19	1.50	2.55	B24PPHAP-G150	B24SPHAP-G150
2"	3.33	2.85	1.19	2.00	2.55	B24PPHAP-G200	B24SPHAP-G200
2 1/2"	5.00	4.60	1.19	2.50	4.22	B24PPHAP-G250	B24SPHAP-G250
3"	5.00	4.60	1.19	3.00	4.22	B24PPHAP-G300	B24SPHAP-G300
4"	5.65	5.00	1.19	4.00	4.85	B24PPHAP-G400	B24SPHAP-G400

Block Hanger with Weld Plate Design - B24**STW



Tube OD	A	B	C	D	E	Polypropylene Part Number	Santoprene Part Number
1/2"	1.84	1.70	1.19	0.50	1.33	B24PPSTW-G50	B24SPSTW-G50
3/4"	1.84	1.70	1.19	0.75	1.33	B24PPSTW-G75	B24SPSTW-G75
1"	3.33	2.85	1.19	1.00	2.55	B24PPSTW-G100	B24SPSTW-G100
1 1/2"	3.33	2.85	1.19	1.50	2.55	B24PPSTW-G150	B24SPSTW-G150
2"	3.33	2.85	1.19	2.00	2.55	B24PPSTW-G200	B24SPSTW-G200
2 1/2"	5.00	4.60	1.19	2.50	4.22	B24PPSTW-G250	B24SPSTW-G250
3"	5.00	4.60	1.19	3.00	4.22	B24PPSTW-G300	B24SPSTW-G300
4"	5.65	5.00	1.19	4.00	4.85	B24PPSTW-G400	B24SPSTW-G400