

# Fig: 66

## Welded Beam Attachment

**Size Range:** 3/8" through 3 1/2"

**Material:** Carbon steel

**Finish:** Plain or Galvanized

**Service:** Recommended for attachment to bottom of beams, especially where loads are considerable and rod sizes are large.

**Maximum Temperature:** Plain 750° F, Galvanized 450° F

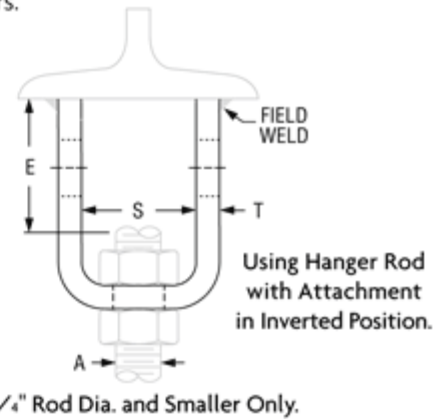
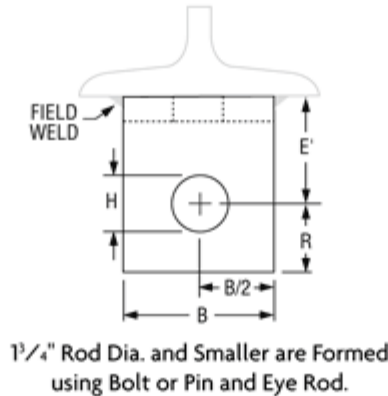
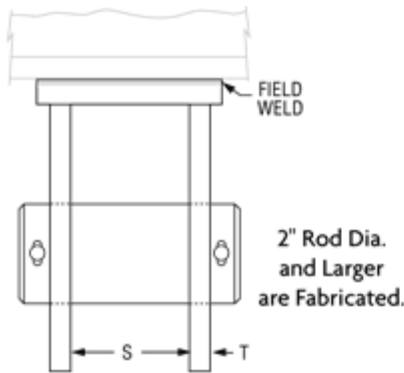
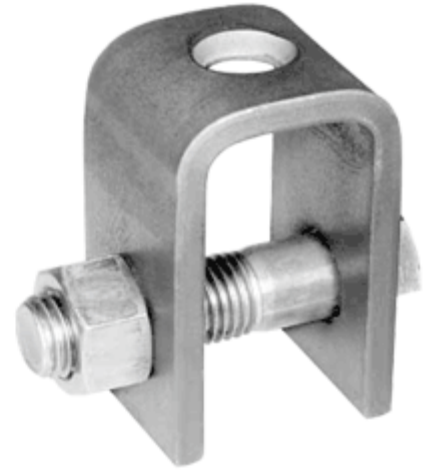
**Approvals:** Complies with Federal Specification A-A-1192A (Type 22), WW-H-171-E (Type 22), ANSI/MSS SP-69 and MSS SP-58 (Type 22).

**Installation:** If flexibility at the beam is desired, use with bolt and eye rod Fig. 278, page 93, or with weldless eye nut Fig. 290, page 97. If vertical adjustment is desired, use with threaded rod and nut and weld the attachment in an inverted position to the beam.

**Features:**

- Will accommodate very heavy loads and rod sizes through 3 1/2".
- Can be installed so as to provide for either flexibility or for vertical adjustment.
- Versatility affords economical stocking and erection.
- Beam size need not be considered.

**Ordering:** Specify rod size, figure number, name and finish. Sizes 1" and smaller are typically supplied with a bolt and nut. Sizes 1 1/4" and larger are typically supplied with a pin and cotters.



**FIG: 66: LOAD (LBS) • WEIGHT (LBS) • DIMENSIONS (IN)**

Rod Size A	Pin or Bolt Size	Max Load		Weight		Rod Take Out		B	H	R	S	T				
		650° F	750° F	Without Bolt and Nut	With Bolt and Nut	E	E'									
3/8	1/2 x 2 1/2	730	572	0.96	1.2	1 1/8	2	2	9/16	7/8	1 1/4	1/4				
1/2	5/8 x 2 1/2	1,350	1,057		1.3	1 1/4										
5/8	3/4 x 2 1/4	2,160	1,692		1.6											
3/4	7/8 x 4	3,230	2,530	1.9	2.8	2 3/4	3	2 1/2	1 5/8	1 1/2	1 1/8	3/8				
7/8	1 x 4	4,480	3,508	2.5	3.9			2 3/4	3	3	1 1/2	2	2 1/2	1/2		
1	1 1/8 x 5	5,900	4,620	4.3	6.3	2 7/8	5	4	5	2	3 1/2	3/4				
1 1/4	1 3/8 x 5 3/8	9,500	7,440	8.1	10.2								2 7/8	4	4	1 1/2
1 1/2	1 5/8 x 6	13,800	10,807	—	19.0	—	5	5	6	3 1/2	3 1/2	1/2				
1 3/4	1 7/8 x 6 3/8	18,600	14,566	—	24.2	—							5	5	2	2 3/4
2	2 1/4 x 6 3/8	24,600	19,265	—	30.6	—	5 1/2	6	7	4	3 3/4	5/8				
2 1/4	2 1/2 x 7 3/8	32,300	25,295	—	36.8	—							5 1/2	6	2 3/4	3 3/4
2 1/2	2 3/4 x 7 3/8	39,800	31,169	—	39.7	—							5 1/2	6	2 7/8	3 3/4
2 3/4	3 x 7	49,400	38,687	—	40.8	—	7	7	8	4	4 1/4	3/4				
3	3 1/4 x 7	60,100	47,066	—	46.7	—							7	7	3 3/8	3 3/4
3 1/4	3 1/2 x 7 3/4	71,900	56,307	—	62.1	—	7 1/2	8	8	4 1/2	4 1/4	3/4				
3 1/2	3 3/4 x 7 3/4	84,700	66,331	—	72.4	—							7 1/2	8	3 7/8	4 1/4