

Fig. 157

Extension piece

Size Range: 3/8" through 7/8"

Material: Malleable iron

Finish: Plain or Galvanized

Maximum Temperature: 450° F

Service: For attaching hanger rod to various types of building attachments.

Approvals: UL Listed (3/8" - 7/8" rod size) and FM Approved (3/8" & 1/2" rod size).

Installation: May be used to form an integral part of malleable iron beam clamps Fig. 218, see page 64.

Ordering: Specify rod size, figure number, name and finish.

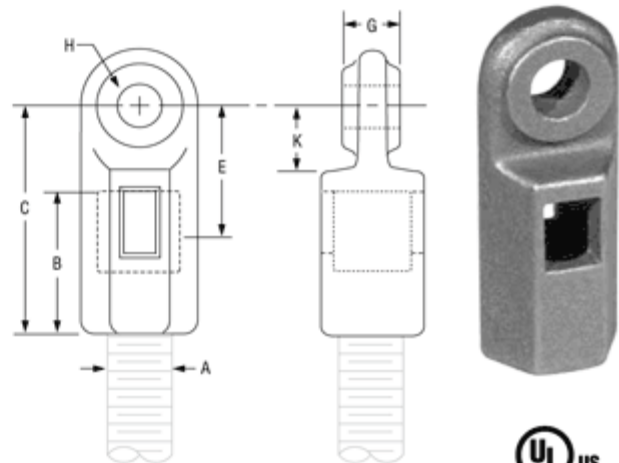


FIG. 157: LOADS (LBS) • WEIGHTS (LBS) • DIMENSIONS (IN)

Rod Size A	Max Load	Weight	B	C	Rod Take-Out - E	G	H	K
3/8	730	0.20	1 1/4	2 1/16	1 1/4	1/2	1/2	9/16
1/2	1,350	0.40	1 3/8	2 5/16	1 3/8	3/4		1 1/16
5/8	1,550	0.44	1 1/2	2 7/16	1 7/16			3/4
3/4	2,100	0.65	1 3/4	2 9/16	1 11/16			7/8
7/8	2,350	0.78	1 7/8	2	1 3/4	3/4	9/16	7/8

Fig. 290: Right-Hand Thread

Weldless Eye Nut

Fig. 290L: Left-Hand Thread

Size Range: 3/8" through 2 1/2"

Material: Forged steel

Finish: Plain or Galvanized

Service: For use on high temperature piping installations.

Approvals: Complies with Federal Specification A-A-1192A (Type 17), WW-H-171-E (Type 17), ANSI/MSS SP-69 and MSS SP-58 (Type 17).

Features:

- Supports loads equal to the full limitation of the hanger rod.
- Provides flexible connection when used with straight thread rod.

Ordering: Specify rod size, figure number, name and finish.

If other than standard combination of eye nut number and rod size, specify eye nut number and special rod tapping size.

Note: The acceptability of galvanized coatings at temperatures above 450°F is at the discretion of the end user. Larger eye nuts featuring smaller rod sizes are commonly available.

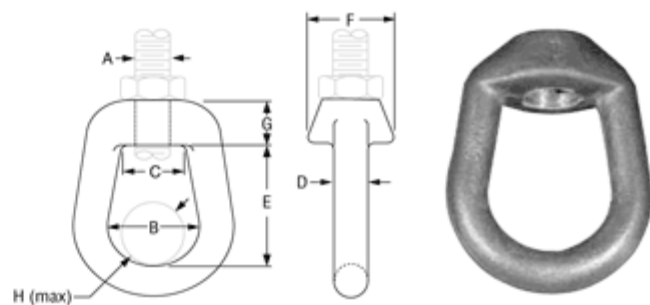


FIG. 290, 290L: LOADS (LBS) • WEIGHTS (LBS) • DIMENSIONS (IN)

Rod Size A	Max Load		Weight	B	C	D	E	F	G	H	Eye Nut Number
	650° F	750° F									
3/8	730	572	0.63	1 1/2	1 3/16	1/2	2	1 3/8	1 1/16	1 1/4	1
1/2	1,350	1,057	0.63								
5/8	2,160	1,692	0.62								
3/4	3,230	2,530	0.60								
7/8	4,480	3,508	1.70	2	1 11/16	3/4	2 5/8	1 5/8	1	1 3/4	2
1	5,900	4,620	1.70								
1 1/4	9,500	7,440	3.60	2 1/2	1 13/16	1	3 3/8	2 3/8	1 1/4	2 3/4	3
1 1/2	13,800	10,807	3.50								
1 3/4	18,600	14,566	16.40	4	4	1 1/2	6 1/4	4	2 1/4	3 3/4	4
2	24,600	19,265	15.90								
2 1/4	32,300	25,295	15.40								
2 1/2	39,800	31,169	14.90								