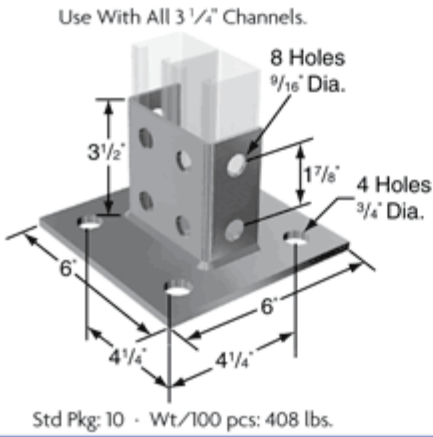


LEGEND:

GR: Powder Coated Supr-Green **EG:** Electro-Galvanized **PG:** Pre-Galvanized **AL:** Aluminum **HG:** Hot Dipped Galvanized **PL:** Plain **SS:** Stainless Steel **ZTC:** Zinc Trivalent Chromium For Zinc Trivalent Chromium (**ZTC**), refer to pages 82-88 in the Specialty Strut Section. For Load Rating, see page 94.

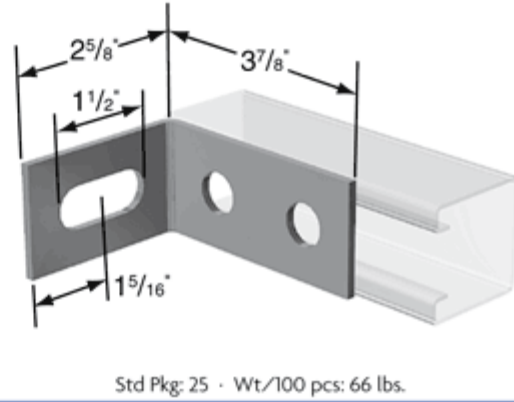
AS 3064 SQ GR, EG, ZTC

DOUBLE COLUMN POST BASE



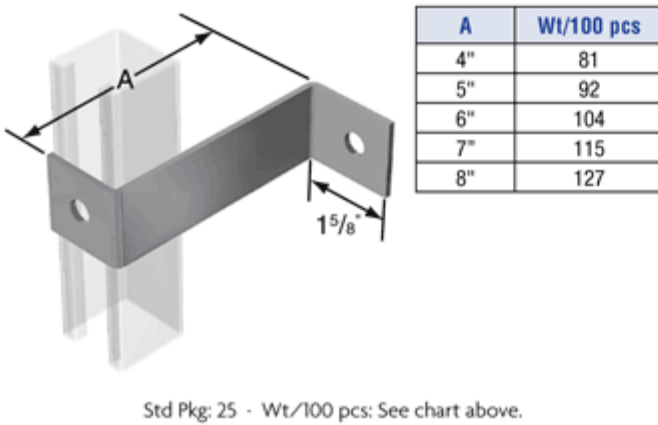
AS 3049 GR, EG

TWO HOLE SLOTTED 90° CORNER CONNECTOR



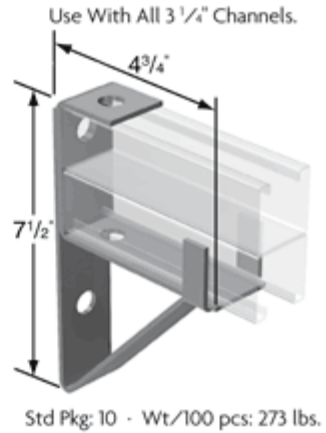
AS 3060 GR, EG

OFFSET CONNECTOR



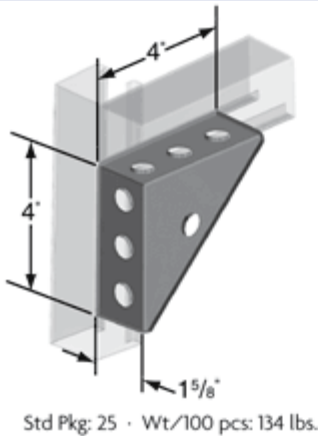
AS 3164 GR, EG

DOUBLE CHANNEL BRACKET SUPPORT



AS 3373 GR, EG, ZTC

UNIVERSAL ANGLE BRACKET



AS 6153 Red, White

SAFETY END CAP

