

WT2500

Thermostatic Steam Trap

Model	WT2500
Sizes	1/2", 3/4"
Connections	NPT
Body Material	Cast Iron
PMO Max. Operating Pressure	250 PSIG
TMO Max. Operating Temperature	406°F
PMA Max. Allowable Pressure	250 PSIG up to 450°F
TMA Max. Allowable Temperature	450°F @ 250 PSIG

TYPICAL APPLICATIONS

DRIP, TRACER, PROCESS: The **WT2500** thermostatic steam trap is used for drip, tracing and process applications. Their compact size, excellent air handling capability and wide operating pressure range make them a great choice for most applications. Thermostatic traps are far superior to bucket traps and thermodynamic disc traps in their ability to remove air from the system.

HOW IT WORKS

The thermostatic trap contains a welded stainless steel thermal element that expands when heated and contracts when cooled. When air and condensate are present, the trap is in the open discharge position. When steam reaches the trap, the element expands and closes off tightly.

FEATURES

- The thermal element and seat can be easily removed and replaced in minutes with the trap body still in-line
- Operates at steam pressures up to 250 PSIG
- Thermostatic traps have excellent air handling capability allowing air to be discharged rapidly and steam to enter the system quickly during start up
- Welded stainless steel thermal element that resists shock from water hammer
- Freezeproof when trap is installed in a vertical orientation allowing for complete condensate drainage
- Hardened stainless steel seat for extended service life

MATERIALS

Cover & Body	Cast Iron ASTM A-126 Class B
Thermal Element	Stainless Steel, AISI 302
Valve & Seat	Stainless Steel, AISI 416
Cover Gasket	Garlock

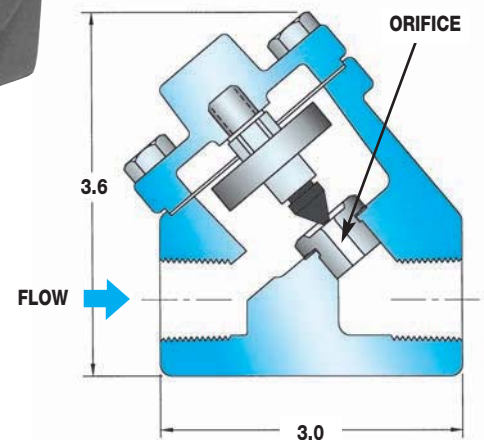
CAPACITIES – condensate (lbs/hr)

Model	Orifice Size	Steam Inlet Pressure (PSIG)								
		5	10	20	50	100	125	150	200	250
WT2501	3/16"	441	625	882	1391	1827	1969	2095	2305	2483
WT2503	5/16"	903	1271	1811	2861	3754	4043	4300	4730	5093

- Notes:**
- 1) 5/16" orifice size is standard and is normally used on process equipment.
 - 2) 3/16" orifice size is offered for reduced capacity and normally used for tracing applications.



Units: Inches



SAMPLE SPECIFICATION

The steam trap shall be of a thermostatic type with cast iron body and stainless steel thermal element. Trap must be in-line repairable with a bolt-on type cover that is sealed with a spiral wound Stainless Steel AISI 316 gasket. Valve and seat to be hardened stainless steel.

MAINTENANCE & INSTALLATION

Trap can be installed in any position. If replacement is required, remove the cover and replace the internal working components. Repair kit includes thermal element, seat and gasket. For full maintenance details see Installation and Maintenance Manual.

OPTION

Fail-closed bellows available upon request.

SLR = Steam lock release

HOW TO SIZE/ORDER

Select working pressure; follow column down to correct capacity (lbs/hr) block. Example:

Application: 1827 lbs/hr at 100 PSIG working inlet pressure
 Size/Model: **WT2501**, 3/16" orifice, Specify pipe size (1/2", 3/4")