

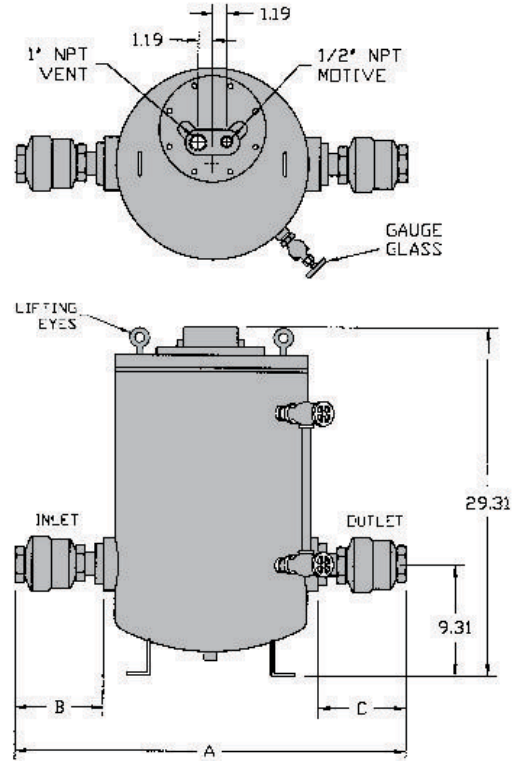
NON-ELECTRIC CONDENSATE PUMPS

PMPSS STAINLESS STEEL TANK

Pressure Motive Pump

Watson McDaniel reserves the right to change the designs and/or materials of its products without notice.
©2010 Watson McDaniel Company

PUMPS



Model	PMPSS
Body	304L Stainless Steel *
Cover	Carbon Steel
Check Valves	Stainless Steel
PMO Max. Operating Pressure	150 PSIG
TMO Max. Operating Temperature	366 °F
PMA Max. Allowable Pressure	150 PSIG @ 650 °F

* For special 316L SS, consult factory.

TYPICAL APPLICATIONS

The **PMPSS** pressure motive pump body & cover are manufactured from **304L Stainless Steel**. These pumps receive the **ASME "UM" code stamp**. This pump is designed to be used in harsh and corrosive environments.

FEATURES

- Equipped with our **Patented "Snap-Assure" Mechanism** which extends the useful life of the pump
- Mechanism incorporates **heat-treated stainless steel wear items**
- All stainless steel internals for ultimate corrosion resistance
- Dual compression springs made from **Inconel-X-750** for high-temperature corrosive service
- Operates using steam, air, nitrogen or other pressurized gases as the motive force
- **Non-Electric** – can be used in remote locations or **NEMA 4, 7, 9 & hazardous areas**

SAMPLE SPECIFICATION

The non-electric pressure powered pump shall be capable of operating with a maximum motive pressure of 150 PSIG provided by steam, air or other gas supply. The pump body shall be 304L Stainless Steel and certified with the ASME "UM" code stamp. The pump mechanism shall be float operated with a patented "Snap-Assure" feature constructed of all stainless steel materials with all load bearing points hardened for extended service life. The mechanism shall feature two Inconel springs used in compression with motive & vent valves hardened to 40c Rockwell.

DIMENSIONS — inches / pounds

Size (Inlet x Outlet)	A	B	C	Weight (lbs)
1" x 1"	30 1/2	6	6	215
1 1/2" x 1"	31 3/4	7 1/2	7 1/2	220
1 1/2" x 1 1/2"	32 1/4	7 1/2	6	223
2" x 1"	32	8	6	225
2" x 1 1/2"	33 1/2	8	7 1/2	230
2" x 2"	33 3/4	8	8	235
3" x 2"	35 1/4	9 1/4	8	240

MATERIALS

Body & Cover	304L Stainless Steel
Cover Gasket	Grafoil
Cover Bolts	Steel
Inlet Valve	Hardened Stainless Steel 40 Rc
Vent Valve	Hardened Stainless Steel 40 Rc
Mechanism Yoke	304 Stainless Steel
Ball Float	304 Stainless Steel
Check Valves	Stainless Steel
Springs	Inconel-X-750
Other Internal Components	Stainless Steel

Snap-Assure Patent No. 6572340