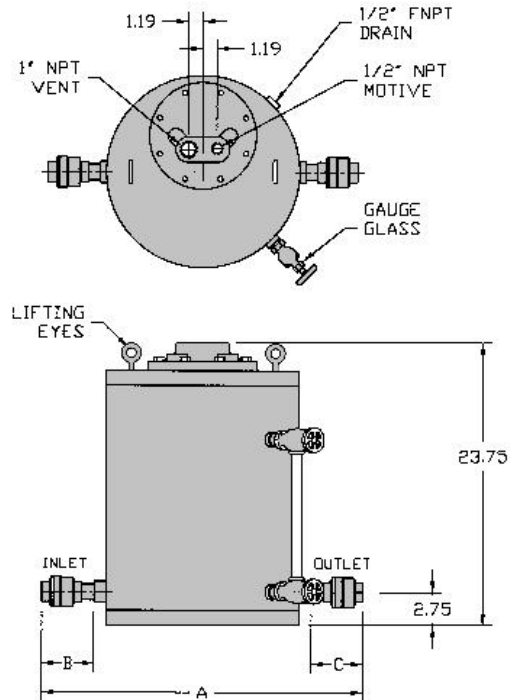


NON-ELECTRIC CONDENSATE PUMPS

CARBON STEEL LOW-PROFILE TANK **PMPLS**

Pressure Motive Pump

PUMPS



Model	PMPLS
Body	Carbon Steel
Cover	Carbon Steel
Check Valves	Stainless Steel
PMO Max. Operating Pressure	150 PSIG
TMO Max. Operating Temperature	366°F
PMA Max. Allowable Pressure	150 PSIG @ 650°F

Note: Optional 200 PSIG PMA/PMO. Consult Factory.

TYPICAL APPLICATIONS

The **PMPLS** pressure motive pump is a lower profile than the standard PMPF model and is sometimes required when draining condensate from process equipment that is positioned close to the ground which limits the filling head of the pump. Pump & body cover are manufactured from carbon steel and receive the **ASME "UM" code stamp**.

FEATURES

- Equipped with our Patented "Snap-Assure" Mechanism which extends the useful life of the pump
- Mechanism incorporates heat-treated stainless steel wear items
- All stainless steel internals for ultimate corrosion resistance
- Dual compression springs made from Inconel-X-750 for high-temperature corrosive service
- Operates using steam, air, nitrogen or other pressurized gases as the motive force
- Non-Electric – can be used in remote locations or NEMA 4, 7, 9 & hazardous areas

SAMPLE SPECIFICATION

The non-electric pressure powered pump shall be capable of operating with a maximum motive pressure of 150 PSIG provided by steam, air or other gas supply. The pump body shall be fabricated carbon steel and certified with the ASME "UM" code stamp. The pump mechanism shall be float operated with a patented "Snap-Assure" feature constructed of all stainless steel materials with all load bearing points hardened for extended service life. The mechanism shall feature two Inconel springs used in compression with motive & vent valves hardened to 40c Rockwell.

DIMENSIONS — inches / pounds				
Size (Inlet x Outlet)	A	B	C	Weight (lbs)
1" x 1"	29 ¹ / ₂	5 ⁵ / ₈	5 ⁵ / ₈	200
1 ¹ / ₂ " x 1"	30 ³ / ₄	7	5 ⁵ / ₈	205
1 ¹ / ₂ " x 1 ¹ / ₂ "	32 ¹ / ₈	7	7	210

MATERIALS	
Body & Cover	Carbon Steel
Cover Gasket	Grafoil
Cover Bolts	Steel
Inlet Valve	Hardened Stainless Steel 40 Rc
Vent Valve	Hardened Stainless Steel 40 Rc
Mechanism Yoke	304 Stainless Steel
Ball Float	304 Stainless Steel
Check Valves	Stainless Steel
Springs	Inconel-X-750
Other Internal Components	Stainless Steel

Snap-Assure Patent No. 6572340