

## Type 1134 – 4½" Low Pressure Differential Gauge



- *Convoluted diaphragm actuator*
- *Stainless steel case*
- *Ranges from 0.6 IWD-60 IWD*
- *Static pressures up to 35 psi*
- *Glass filled nylon body<sup>(1)</sup>*
- *Buna-N seals (others available)*
- *Superior magnets for smoother power motion*
- *Low cost reed switches available*
- *5-year warranty*
- *Flush mounting accessories standard*

The Type 1134 uses a convoluted-diaphragm design with no migration of the process media. It is recommended for low differential inches of water ranges. Body material is glass filled nylon with Buna or silicone.<sup>(2)</sup>

#### NOTES:

- (1) Not for use with incompatible media.
- (2) Other wetted parts include stainless steel spring, Teflon piston and ceramic magnet.

#### PRODUCT SPECIFICATIONS

<b>Model Number:</b>	1134
<b>Accuracy (Ascending):</b>	±2% <sup>(3)</sup>
<b>Migration:</b>	Zero
<b>Ranges:</b>	0-0.6 IWD to 60 IWD
<b>Maximum Static Pressure:</b>	35 psi
<b>Case Material:</b>	Stainless steel
<b>Body Material:</b>	Glass filled nylon
<b>Dial Size:</b>	4½" (45)
<b>Maximum Process Temp.:</b>	140°F/60°C
<b>O-Rings/Diaphragm:</b>	Buna-N
<b>Connection Size (Female):</b>	½ NPTF <sup>(5)</sup>
<b>Connection Location:</b>	Dual In-Line and Back
<b>Window:</b>	Glass

#### PRODUCT OPTIONS

<b>Switches<sup>(1,2):</sup></b>	Available
<b>Window</b>	
Plastic:	XPD Available
<b>Surface Mount:</b>	XBF Available
<b>Pipe Mounting Bracket:</b>	XTM In-line (only)
<b>EPDM O-Rings:</b>	XEM Available <sup>(4)</sup>

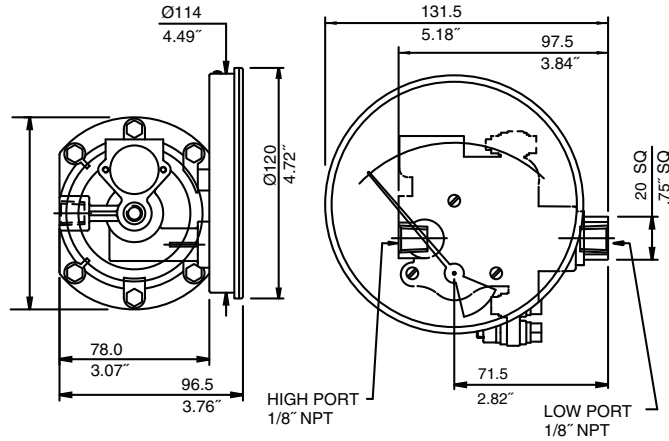
- (1) Applicable to switches:  
XV1 – 1 SPST with DIN plug  
XV3 – 2 SPST with DIN plug  
XV5 – 1 SPDT with DIN plug
- (2) Adjustable from 40-80% of range
- (3) 3% for 0-0.6 IWD; 5% for 1IW or lower
- (4) Only with ranges up to 4IW
- (5) Only available with ½ NPTF connection

**HOW TO ORDER:**

Dial Size: 4½" _____	45	1134	ED	RQ	M	XXX	2IWD
Case Type Number: 1134 _____							
Body Material: Nylon _____							
Connection Size: ½ NPT _____							
Connection Location: Dual In-Line and Back (M) _____							
Variations: _____							
Range: 2 IWD _____							

# Type 1134 – 4½" Low Pressure Differential Gauge

## Type 1134 Dimension Drawing



This instrument with its off-center profile can still be easily inserted in a 115 mm panel cutout.

## Type 1134 Standard Ranges

Pressure – Single Scale in. H <sub>2</sub> O		
Range*	Minor Grad.	First Grad.
0/0.6	.02	0.10
0/1	.02	.12
0/2	.04	.20
0/3	.10	.30
0/4	.10	.40
0/5	.10	.50
0/6	.20	.60
0/8	.20	.80
0/10	.25	1.0
0/15	.30	1.5
0/20	.50	2.0
0/25	.50	2.5
0/30	.60	3.0
0/40	.80	4.0
0/50	1.0	5.0
0/60	1.0	5.0

\*Metric, dual or special ranges on application.

## Standard Accessories:

- Two nylon 3/16" hose barb tube adapters
- Flush mounting kit
- Two plugs for sealing connections not in use

## Ratings for Standard Switches:

### SPST SWITCH

#### Specifications:

- Contact Rating: 10 VA ac (rms) or dc (max)
- Switching Current: 0.5 Amp ac (rms) or dc (max)
- Switch Voltage: 100 Vac/Vdc (max)

### SPDT SWITCH

#### Specifications:

- Contact Rating: 3 VA ac (rms) or dc (max)
- Switching Current: 0.3 Amp ac (rms) or dc (max)
- Switch Voltage: 30 Vac/Vdc (max)