

## Type 1005P, XUL Fire Protection Sprinkler Service Gauge



### FEATURES

- Underwriters Laboratory listed and Factory Mutual approved
- Corrosion-resistant ABS case
- Heat-resistant polycarbonate push-in window
- Patented PowerFlex™ movement with polyester segment
- True Zero™ indication, a unique safety feature

Ashcroft® fire protection sprinkler gauges are Underwriters Laboratory listed and Factory Mutual approved for fire protection sprinkler service. The case material on Type 1005P, XUL gauges is ABS. The 0-300 psi pressure range is used on “wet” systems where water is available to the sprinkler heads. The 0-80 retard to 250 psi pressure range is used on dry systems where the lines are filled with air pressure until system activation.

The patented PowerFlex™ movement with polyester segment is designed to provide unequalled shock and vibration resistance resulting in superior performance and extended gauge life.

True Zero™ indication, a standard feature on these gauges, reduces the potential risk of installing a damaged gauge on your equipment.

### PRODUCT SPECIFICATIONS

<b>Ashcroft® Model No.:</b>	1005P, XUL
<b>Accuracy:</b>	ASME B 40.100 Grade B (±3-2-3% of span)
<b>Size:</b>	3½”
<b>Case:</b>	ABS (Polycarbonate blend) ½
<b>Ring:</b>	None
<b>Window:</b>	Polycarbonate, push-in
<b>Dial:</b>	Black figures on white background
<b>Pointer:</b>	Black, aluminum
<b>Bourdon tube:</b>	“C” shaped bronze
<b>Movement:</b>	Patented PowerFlex™ with polyester segment
<b>Socket:</b>	Brass
<b>Restrictor:</b>	None
<b>Connection:</b>	¼ NPT lower
<b>Ranges:</b>	0-300 psi (water) 0-80 retard to 250 psi (air)

### Operating

**temperature:** -40°F to 150°F; -40°C to 65°C

UL 393 Listed, UL of Canada Listed and FM approved. Equivalent (single or dual scale) metric scales are available

### OPTIONAL FEATURES

Customized dials

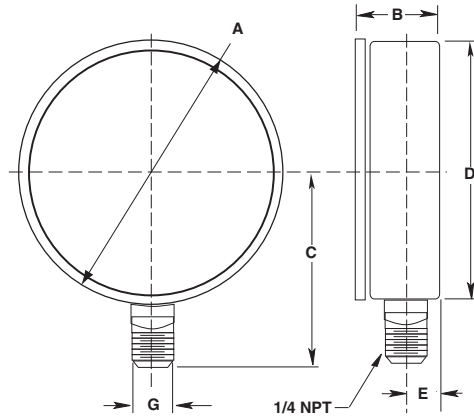
Other UL listed ranges on application

### HOW TO ORDER (Typical example)

	35	W	1005	P	H	02L	XUL	300#
<b>Dial Size:</b> 3½”	_____	_____	_____	_____	_____	_____	_____	_____
<b>Movement:</b> Patented PowerFlex™	_____	_____	_____	_____	_____	_____	_____	_____
<b>Case Type Number:</b> 1005P	_____	_____	_____	_____	_____	_____	_____	_____
<b>Case Material:</b> ABS	_____	_____	_____	_____	_____	_____	_____	_____
<b>Socket Material:</b> Brass	_____	_____	_____	_____	_____	_____	_____	_____
<b>Connection Size/Location:</b> ¼ NPT Lower	_____	_____	_____	_____	_____	_____	_____	_____
<b>Listing:</b> UL listed, FM approved	_____	_____	_____	_____	_____	_____	_____	_____
<b>Range:</b> 0/300 psi	_____	_____	_____	_____	_____	_____	_____	_____

## Type 1005P, XUL Fire Protection Sprinkler Service Gauge

### DIMENSIONS



SIZE/TYPE	A	B	C	D	E	G
3 1/2"	3.70	1.14	2.72	3.61	0.47	0.56
1005P, XUL	(94)	(29)	(69)	(92)	(11.9)	(14.2)