

# Type 1005S Commercial Pressure Gauge



## FEATURES

- Case material is stainless steel
- These gauges have a heat-resistant push-in polycarbonate window
- Patented PowerFlex™ movement with polyester segment
- True Zero™ indication, a unique safety feature

Ashcroft® Type 1005S gauges are available in 1½" and 2" dial sizes. The full-view polycarbonate push-in window allows for better dial visibility. For added resistance to harsh environmental conditions, the 1005S dial material is aluminum.

Ashcroft Type 1005S gauges use the patented PowerFlex movement with polyester segment, which increases the ability to resist rough usage, thereby helping to lengthen the life of the gauge.

True Zero indication reduces the potential risk of installing a damaged gauge on your equipment.

FlutterGuard™ is available to eliminate pointer flutter and extend gauge life.

## COMMONLY USED ON

*Applications requiring a high degree of corrosion resistance, automotive applications, medical equipment, industrial machining and a variety of other applications*

## PRODUCT SPECIFICATIONS

**Ashcroft® Model No.:** 1005S

**Size:** 1½", 2"

**Case:** Stainless steel

**Window:** Polycarbonate, push-in

**Dial:** Black figures on white background, aluminum

**Pointer:** Black, aluminum

**Bourdon tube:** "C" shaped bronze (Vac.-600 psi and compound)

**Movement:** Patented PowerFlex with polyester segment

**Socket:** Brass

**Connection:** 1½" Gauges ½ NPT back only  
2" Gauges ¾ and 1 NPT lower and back connect.

**Ranges:** Vac.- 600 psi and compound  
(1½" available in vac.-300 psi only)

**Accuracy:** ASME B40.100, Grade B (±3-2-3% of span)

**Operating temperature:** -40°F to 150°F, -40°C to 65°C

## OPTIONAL FEATURES

Factory variation code in ( )

**Case:** Vent hole (VH)

**Pointer:** Adjustable (AP)

**Socket:** Nickel plated brass (NP)  
Nonstandard length or thread  
Throttle plugs, 0.007", 0.013",  
0.020", 0.063" orifices  
Teflon taped threads (TC)

**Movement:** FlutterGuard (SF)

**Others:** Bulk packaging (ZO)

Customized dials

Non standard ranges and special calibration on application

Top or side connection: (02D = right side); (02E = left side); (02T = top connection)

Receiver ranges: 3/15 psi, 0/10 square root, 0/100% (PR)

## HOW TO ORDER (Typical example)

20 W 1005 S H 02L XAP 100#

**Dial Size:** 2" \_\_\_\_\_

**Movement:** Patented PowerFlex™ \_\_\_\_\_

**Case Type Number:** 1005 \_\_\_\_\_

**Case Material:** Stainless Steel \_\_\_\_\_

**Socket Material:** Brass \_\_\_\_\_

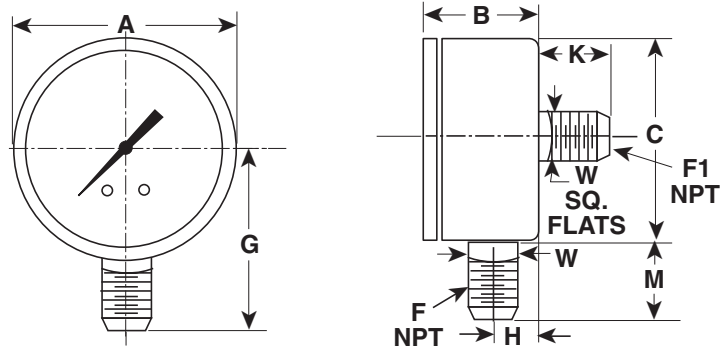
**Connection Size/Location:** ½ NPT Lower \_\_\_\_\_

**Option:** Adjustable Pointer \_\_\_\_\_

**Range:** 100 psi \_\_\_\_\_

# Type 1005S Commercial Pressure Gauge

## DIMENSIONS



DIAL SIZE inches (mm)	A	B		C	F NPT	F1 NPT	G	H	K	M	W	
		LOWER	BACK								LOWER	BACK
1½"	1.62 (42)	0.86 (22)	0.99 (25)	1.60 (41)	⅛	⅛	1.46 (37)	0.28 (7)	0.67 (17)	0.66 (17)	0.56 (14)	0.44 (11)
2"	2.09 (53)	1.04 (26)	1.04 (26)	2.05 (52)	⅛ or ¼	⅛ or ¼	1.85 (47)	0.34 (9)	0.88 (22)	0.82 (21)	0.56 (14)	0.56 (14)