

## Type 23DDG MiniGauge™



### FEATURES...

- Compact size – 23mm (.906") diameter
- ABS case with acrylic window ultrasonically welded to case
- Wrench flats on socket for easy installation
- Available in 60-300 psi
- Direct Drive technology for excellent shock resistance

In the world of compact operating systems, microcomputer chips, miniature pneumatics and general equipment downsizing, Ashcroft® instruments are keeping up with the times.

The Ashcroft® MiniGauge™ is designed for those applications where space is a limiting factor. At 23mm, the compact MiniGauge™ is smaller than 1" in diameter and available in 60 psi through 300 psi ranges. Taking into consideration the small size of the MiniGauge™, the dial face was designed for maximum readability. This product is offered in 1/8" NPT back connection with 15 mm (9/16") wrench flats for easy installation.

The versatile Ashcroft® MiniGauge™ surpasses the demands of durability in two important ways: first, by using direct drive reading, the spiral tube transmits motion directly to the pointer – no gears or movement parts to wear out; and second, the case material is an ABS blend that is both enduring and attractive.

The Ashcroft® MiniGauge™ is ideal for a multitude of applications where a 1 1/2" conventional size gauge is too large.

### COMMONLY USED ON

*Mini FRLs, pneumatic stack valves, air compressors and accessories, medical/dental equipment, a variety of other applications*

### PRODUCT SPECIFICATIONS

- Ashcroft Model No.:** 23DDG  
**Size:** 23mm (.906")  
**Case:** Black, ABS blend  
**Ring:** None  
**Window:** Polycarbonate, ultrasonically welded to case  
**Dial:** Black figures on white background, aluminum  
**Pointer:** Brass, painted black  
**Bourdon Tube:** Beryllium copper, spiral; soft soldered to socket  
**Movement:** None (direct drive reading)  
**Socket:** Brass with 15mm (9/16") wrench flats  
**Connection:** 1/8" NPT back

Range (psi)	Dial Arc	
	180°	235°
0/60	●	
0/100	●	
0/160		●
0/200		●
0/300		●

- Repeatability:** Better than 1%  
**Accuracy:** ±5% full scale  
**Operating Temperature:** -40°F to 150°F, -40°C to 65°C  
**Packaging:** Bulk pack; individually sealed in 2 mil polybags

### OPTIONAL FEATURES

- Socket:** Throttle plugs; 10/32" threads; PT 1/8 (JIS) and R 1/8 (BSPT) threads  
**Dial:** Customized  
**Dampening:** Silicone-dampened coil for vibration applications

### HOW TO ORDER (Typical example)

23 DDG 01B 60#

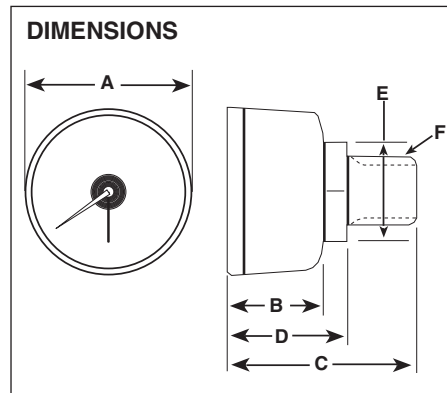
**Dial Size:** 23mm (0.906" or 29/32") \_\_\_\_\_

**Case Type Number:** Direct Drive Gauge \_\_\_\_\_

**Connection Size/Location:** 1/8" NPT Back \_\_\_\_\_

**Range:** 0/60 psi \_\_\_\_\_

## Type 23DDG MiniGauge™



	A	B	C	D	E	F
Inches	0.90	0.55	1.07	0.67	0.56	1/8
(mm)	(23)	(14)	(27)	(17)	(15)	NPT