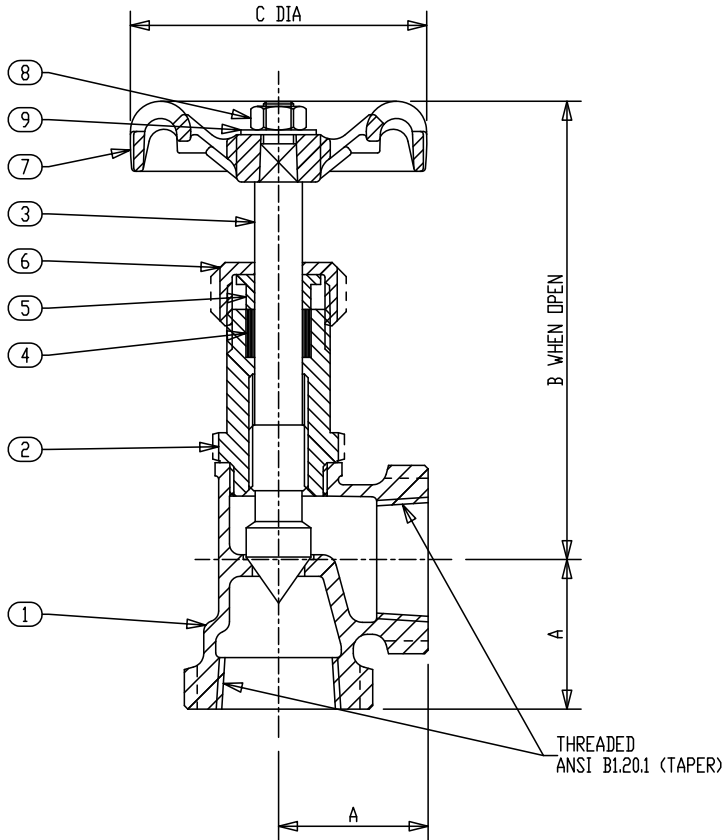


Class 200 • Threaded Bonnet • Needle Type Disc • Thrd. Ends

89 Angle Valve



Materials of Construction

No.	Description	Material	ASTM Spec.
1	Body	Bronze	B-62 C83600
2	Bonnet	(1/8" - 3/8") Sil. Al. Bronze	BSEN12163 CW301G
		(1/2" - 3/4") Brass	BSEN12164 CW614N
3	Stem	Sil. Al. Bronze	BSEN12163 CW301G
4	Packing	Graphite (Asbestos Free)	
5	Gland	Brass	BSEN12164 CW614N
6	Packing Nut	Brass	BSEN12164 CW614N
7	Handwheel	Aluminum	
8	Handwheel Nut	Brass	BSEN12164 CW614N
9	ID Plate	Aluminum	

See page 8 for Pressure-Temperature Ratings.

Industry Standards
MSS SP-80, Type 1

Dimensions and Weights

Inches (millimeters) - Pounds (kilograms)

Valve Size	Dimensions			Wt.
	B	C	A	
1/8	2.91	1.73	0.59	0.29
	(74)	(44)	(15)	(0.13)
1/4	2.87	1.73	0.79	0.33
	(73)	(44)	(20)	(0.15)
3/8	3.03	1.73	0.91	0.46
	(77)	(44)	(23)	(0.21)
1/2	3.58	2.05	1.06	0.64
	(91)	(52)	(27)	(0.29)
3/4	4.09	2.56	1.26	1.01
	(104)	(65)	(32)	(0.46)