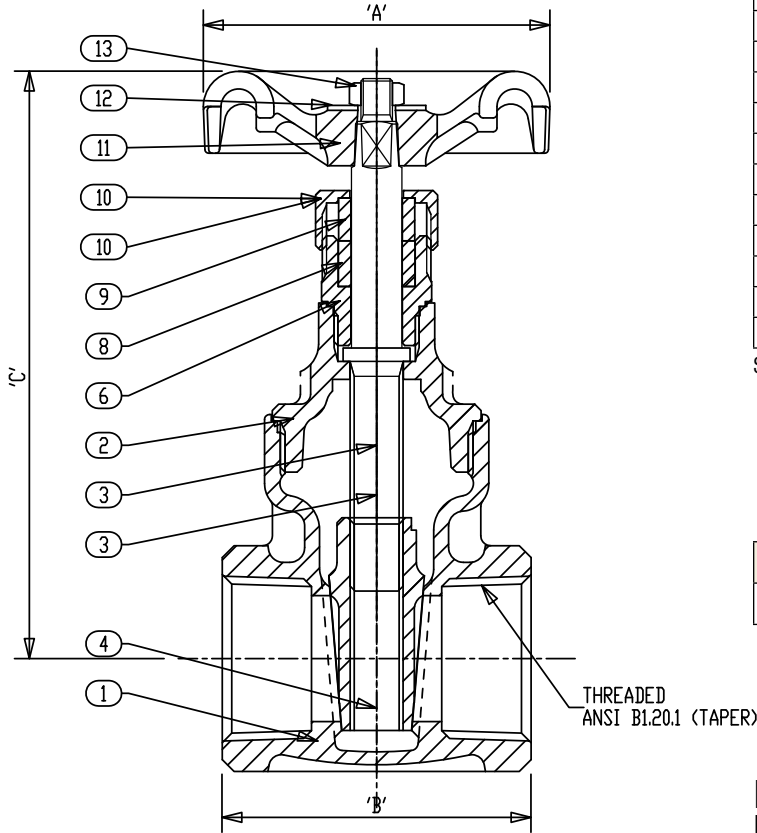


Class 125 • Threaded Bonnet • Non-Rising Stem • Threaded Ends

438 Gate Valve



Materials of Construction

| No. | Description | Material | ASTM Spec. |
|-----|---------------|--------------------------|------------------|
| 1 | Body | Bronze | B-62 C83600 |
| 2 | Bonnet | Bronze | B-62 C83600 |
| 3 | Stem | Brass | B-371 69400 |
| 4 | Disc | Bronze | B-62 C83600 |
| 6 | Stuffing Box | Brass | B-371 69400 |
| 8 | Packing Ring | Graphite (Asbestos Free) | |
| 9 | Gland | Brass | BSEN12164 CW614N |
| 10 | Packing Nut | Brass | BSEN12164 CW614N |
| 11 | Handwheel | Malleable Iron | A-197 F22000 |
| 12 | ID Plate | Aluminum | |
| 13 | Handwheel Nut | Brass | BSEN12164 CW614N |

See page 8 for Pressure-Temperature Ratings.

| Industry Standards |
|--------------------|
| MSS SP-80, Type 1 |

Dimensions and Weights

Inches (millimeters) - Pounds (kilograms)

| Valve Size | Dimensions | | | Wt. |
|------------|------------|-------|-------|--------|
| | C | A | B | |
| ¼ | 2.95 | 1.75 | 1.81 | 0.6 |
| | (75) | (45) | (46) | (0.27) |
| ⅜ | 2.95 | 1.75 | 1.81 | 0.6 |
| | (75) | (45) | (46) | (0.26) |
| ½ | 3.23 | 2.06 | 1.98 | 0.8 |
| | (82) | (52) | (51) | (0.35) |
| ¾ | 3.74 | 2.56 | 2.14 | 1.2 |
| | (95) | (65) | (55) | (0.55) |
| 1 | 4.64 | 2.75 | 2.46 | 1.8 |
| | (118) | (70) | (63) | (0.84) |
| 1 ¼ | 5.67 | 3.06 | 2.77 | 2.6 |
| | (144) | (79) | (71) | (1.18) |
| 1 ½ | 6.53 | 3.62 | 2.85 | 3.6 |
| | (166) | (92) | (73) | (1.66) |
| 2 | 7.48 | 4.06 | 3.25 | 5.6 |
| | (190) | (103) | (83) | (2.55) |
| 2 ½ | 9.26 | 5.28 | 4.25 | 12.4 |
| | (235) | (134) | (108) | (5.62) |
| 3 | 9.89 | 5.28 | 4.59 | 17.4 |
| | (251) | (134) | (117) | (7.89) |