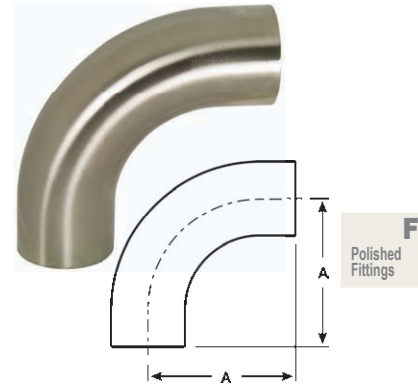


## Weld Elbows

### Polished 90° Weld Elbows with Tangents - B2S

- #3, #5 and electropolish finishes are available

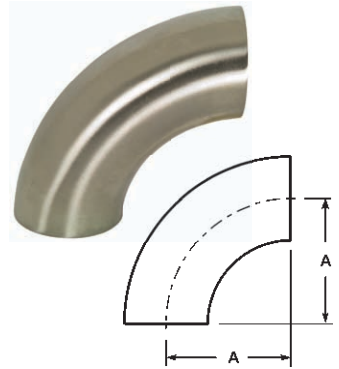
Tube OD	A	Nominal Wall	304 Stainless Steel Part Number	316L Stainless Steel Part Number
½"	3.000	.065	---	<b>B2S-R50P</b>
¾"	3.000	.065	---	<b>B2S-R75P</b>
1"	2.062	.065	<b>B2S-G100P</b>	<b>B2S-R100P</b>
1½"	2.937	.065	<b>B2S-G150P</b>	<b>B2S-R150P</b>
2"	4.062	.065	<b>B2S-G200P</b>	<b>B2S-R200P</b>
2½"	5.187	.065	<b>B2S-G250P</b>	<b>B2S-R250P</b>
3"	6.312	.065	<b>B2S-G300P</b>	<b>B2S-R300P</b>
4"	8.312	.083	<b>B2S-G400P</b>	<b>B2S-R400P</b>



### Polished 90° Weld Elbows - B2WCL

- #3, #5 and electropolish finishes are available

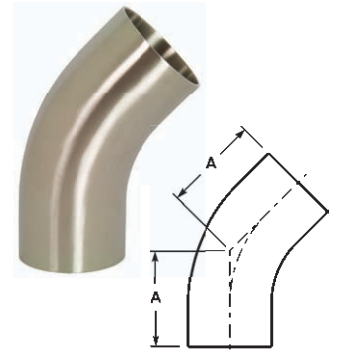
Tube OD	A	Nominal Wall	304 Stainless Steel Part Number	316L Stainless Steel Part Number
½"	1.125	.065	---	<b>B2WCL-R50P</b>
¾"	1.125	.065	---	<b>B2WCL-R75P</b>
1"	1.500	.065	<b>B2WCL-G100P</b>	<b>B2WCL-R100P</b>
1½"	2.250	.065	<b>B2WCL-G150P</b>	<b>B2WCL-R150P</b>
2"	3.000	.065	<b>B2WCL-G200P</b>	<b>B2WCL-R200P</b>
2½"	3.750	.065	<b>B2WCL-G250P</b>	<b>B2WCL-R250P</b>
3"	4.500	.065	<b>B2WCL-G300P</b>	<b>B2WCL-R300P</b>
4"	6.000	.083	<b>B2WCL-G400P</b>	<b>B2WCL-R400P</b>
6"	9.000	.109	<b>B2WCL-G600P</b>	<b>B2WCL-R600P</b>
8"	12.000	.120	<b>B2WCL-G800P</b>	<b>B2WCL-R800P</b>
10"	15.000	.109	<b>B2WCL-G1000P</b>	<b>B2WCL-R1000P</b>



### Polished 45° Weld Elbows with Tangents - B2KS

- #3, #5 and electropolish finishes are available

Tube OD	A	Nominal Wall	304 Stainless Steel Part Number	316L Stainless Steel Part Number
½"	2.250	.065	---	<b>B2KS-R50P</b>
¾"	2.250	.065	---	<b>B2KS-R75P</b>
1"	1.188	.065	<b>B2KS-G100P</b>	<b>B2KS-R100P</b>
1½"	1.625	.065	<b>B2KS-G150P</b>	<b>B2KS-R150P</b>
2"	2.312	.065	<b>B2KS-G200P</b>	<b>B2KS-R200P</b>
2½"	3.000	.065	<b>B2KS-G250P</b>	<b>B2KS-R250P</b>
3"	3.688	.065	<b>B2KS-G300P</b>	<b>B2KS-R300P</b>
4"	4.812	.083	<b>B2KS-G400P</b>	<b>B2KS-R400P</b>



### Polished 45° Weld Elbows - B2WK

- #3, #5 and electropolish finishes are available

Tube OD	A	R	Nominal Wall	304 Stainless Steel Part Number	316L Stainless Steel Part Number
½"	.466	1.125	.065	---	<b>B2WK-R50P</b>
¾"	.466	1.125	.065	---	<b>B2WK-R75P</b>
1"	.625	1.500	.065	<b>B2WK-G100P</b>	<b>B2WK-R100P</b>
1½"	.937	2.250	.065	<b>B2WK-G150P</b>	<b>B2WK-R150P</b>
2"	1.250	3.000	.065	<b>B2WK-G200P</b>	<b>B2WK-R200P</b>
2½"	1.562	3.750	.065	<b>B2WK-G250P</b>	<b>B2WK-R250P</b>
3"	1.875	4.500	.065	<b>B2WK-G300P</b>	<b>B2WK-R300P</b>
4"	2.500	6.000	.083	<b>B2WK-G400P</b>	<b>B2WK-R400P</b>
6"	3.750	9.000	.109	<b>B2WK-G600P</b>	<b>B2WK-R600P</b>
8"	5.000	12.000	.120	<b>B2WK-G800P</b>	<b>B2WK-R800P</b>
10"	6.250	15.000	.109	<b>B2WK-G1000P</b>	<b>B2WK-R1000P</b>
12"	7.500	18.000	.120	<b>B2WK-G1200P</b>	<b>B2WK-R1200P</b>

