

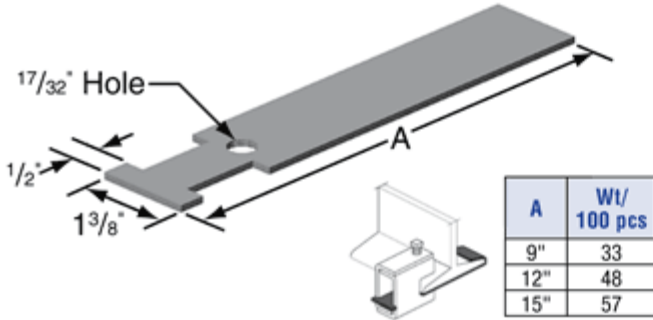
LEGEND:

GR: Powder Coated Supr-Green **EG:** Electro-Galvanized **PG:** Pre-Galvanized **AL:** Aluminum **HG:** Hot Dipped Galvanized **PL:** Plain **SS:** Stainless Steel **ZTC:** Zinc Trivalent Chromium
 For Zinc Trivalent Chromium (ZTC), refer to pages 82-88 in the Specialty Strut Section. For Load Rating, see page 94.

AS 871 EG

SAFETY ANCHOR STRAP

(For Heavy Duty Beam Clamps.) Use with AS 858, AS 865
 (Cannot Be Used With 3/4" Rod Size Beam Clamps and Larger).

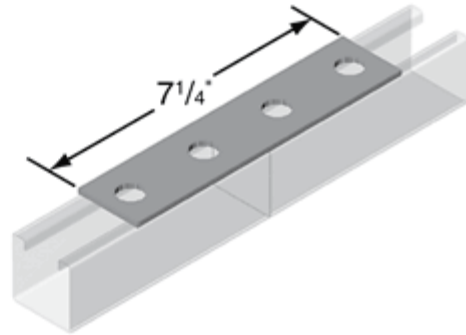


A	Wt/ 100 pcs
9"	33
12"	48
15"	57

Std Pkg: Bulk · Wt./100 pcs: See chart above.

AS 888 GR, EG, ZTC

FOUR HOLE SPLICE PLATE



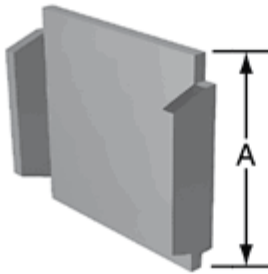
Std Pkg: 25 · Wt./100 pcs: 78 lbs.

AS 901, AS 902 PG

TYPE "A" END CAP

Use With AS 100, AS 400 Channel.

	A	Wt/ 100 pcs
AS 901	1"	11
AS 902	3/4"	22

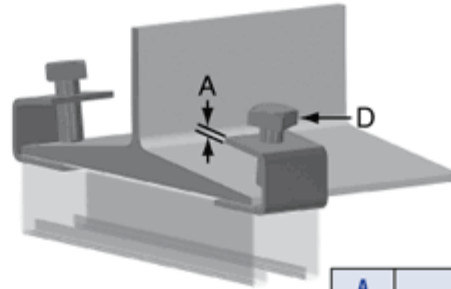


Std Pkg: Bulk · Wt./100 pcs: See chart above.

AS 907 GR, EG

"I" BEAM CLAMP

Includes Cup Point Set Screw.

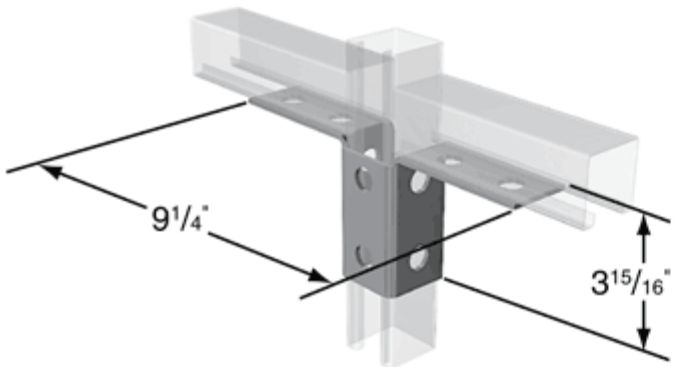


A	D	Load Rating
1/4"	3/8 x 16 x 1 1/2	500

Std Pkg: 50 · Wt./100 pcs: 26 lbs.

AS 913 GR, EG, ZTC

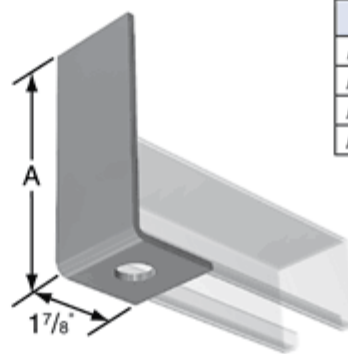
TEN HOLE TWO ANGLE CLEVIS CONNECTOR



Std Pkg: 10 · Wt./100 pcs: 193 lbs.

AS 921 GR, EG

ONE HOLE ANGLE



	A	Wt/100 pcs
AS 921 A	3 7/8"	61
AS 921 B	5 7/8"	84
AS 921 C	7 7/8"	107
AS 921 D	9 7/8"	130

Std Pkg: 25 · Wt./100 pcs: See chart above.