

Type 1005 Commercial Gauge



FEATURES

- Case material is black-painted steel
- These gauges have a heat-resistant push-in polycarbonate window
- Dial faces match other Ashcroft® commercial gauges for easy readability
- Patented PowerFlex™ movement with polyester segment
- True Zero™ indication, a unique safety feature

Ashcroft® Type 1005 pressure gauges share the uncompromising reputation for quality and product integrity that is inherent in all Ashcroft instruments. The core of the Type 1005 gauge is the patented PowerFlex™ movement. This movement has been thoroughly tested and proven to be more resistant to shock, vibration, and pulsation than conventional movements, thus assuring a more accurate, dependable, long-lasting gauge.

The essence of Ashcroft Type 1005 gauges is attractive styling, a technically superior design, durable construction, economy, and the excellent reputation of Ashcroft gauges for delivery and service.

True Zero™ indication, a unique safety feature standard on these gauges, is the accurate indication of zero pressure being applied to the gauge. In addition to the increased safety benefits, this means reduced inspection and manufacturing costs for you and your customer.

COMMONLY USED ON

Compressors, filter regulators, fluid power equipment, medical equipment, pool and spa filters, automotive diagnostic equipment, beverage dispensing equipment, industrial machinery, a variety of other applications

PRODUCT SPECIFICATIONS

Ashcroft® Model No.:	1005
Sizes:	1½", 2", 2½", 3½"
Case:	Black painted steel
Window:	Polycarbonate
Dial:	Black figures on white background, aluminum
Pointer:	Black, aluminum
Bourdon Tube:	C-shape bronze (2"–3½", vacuum–600 psi and compound; 1½", vacuum–1000 psi) Helical bronze (2"–3½", 1000–6000 psi)
Movement:	PowerFlex™ with polyester segment
Socket:	Brass
Restrictor:	.013" orifice throttle plug in gauges 1000 psi and above.
Connections:	½ and ¼ NPT, lower and back (1½" not available in ¼ NPT)
Ranges:	1½" Vac-1000 psi only 2", 2½" Vac-6000 psi and compound 3½" Vac-6000 psi and compound
Accuracy:	ASME B40.100, Grade B, ±3-2-3%
Operating Temperature:	–40°F to 150°F, –40°C to 65°C

OPTIONAL FEATURES

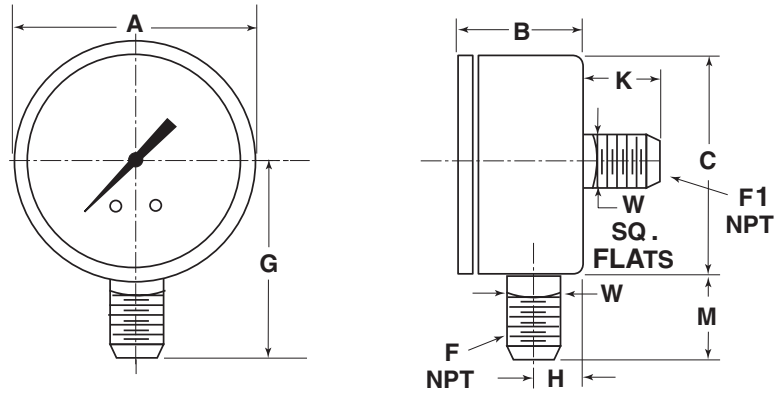
Case:	Case color (other than black) Vent hole
Pointer:	Adjustable, Min/max assembly
Movement:	FlutterGuard™
Socket:	Non-standard length or thread Throttle plugs – 0.007", 0.013", 0.020", 0.063" Nickel plated, Teflon taped Top or side connection
Dials:	Customized Non-standard ranges Receiver ranges - 0/100 linear, 0/100 percent, 0/10 sq. root
Others:	UL 404 and UL 252A listing for compressed gas service Friction fit ring with glass window Bulk Packaging

HOW TO ORDER (Typical example)

		20	W	1005	H	02L	XAP	100#
Dial Size: 2"	_____							
Movement: Patented PowerFlex™	_____							
Case Type Number: 1005	_____							
Socket Material: Brass	_____							
Connection Size/Location: ¼ NPT Lower	_____							
Option: Adjustable Pointer	_____							
Range: 100 psi	_____							

Type 1005 Commercial Gauge

DIMENSIONS



DIAL SIZE inches (mm)	A	B		C	F NPT	F1 NPT	G	H	K	M	W		WEIGHT (ozs)
		LOWER	BACK								LOWER	BACK	
1½"	1.62 (42)	0.86 (22)	0.99 (25)	1.60 (41)	⅛	⅛	1.46 (37)	0.28 (7)	0.67 (17)	0.66 (17)	0.56 (14)	0.44 (11)	2.0
2"	2.09 (53)	1.04 (26)	1.04 (26)	2.05 (52)	⅛ or ¼	⅛ or ¼	1.85 (47)	0.34 (9)	0.88 (22)	0.82 (21)	0.56 (14)	0.56 (14)	3.6
2½"	2.73 (69)	1.10 (28)	1.07 (27)	2.68 (68)	⅛ or ¼	⅛ or ¼	2.18 (55)	0.36 (9)	0.88 (22)	0.84 (21)	0.56 (14)	0.56 (14)	4.5
3½"	3.67 (93)	1.21 (31)	1.21 (31)	3.61 (92)	⅛ or ¼	⅛ or ¼	2.72 (69)	0.43 (11)	0.88 (22)	0.92 (23)	0.56 (14)	0.56 (14)	6.8