

Type 1000 Commercial Gauges



FEATURES

- Case material is black painted steel
- Plastic window to eliminate glass breakage
- Now available through 6000 psi
- Dial faces match other Ashcroft® commercial gauges for easy readability
- Patented PowerFlex™ movement with polyester segment
- True Zero™ indication, a unique safety feature

Ashcroft® 4½" Type 1000 gauges utilize a black steel case and ring, with a plastic window. These gauges are appropriate for general industrial applications and can be customized to complement your equipment.

Incorporated in Type 1000 gauges is the PowerFlex™ movement. This movement provides superior resistance to shock, vibration, and pulsation; thereby assuring longer life for your pressure instrument.

True Zero™ indication, a standard feature on these gauges, reduces the potential risk of installing a damaged gauge on your equipment. Other benefits of this unique safety feature include reduced manufacturing and inspection costs.

COMMONLY USED ON

Applications requiring large dial sizes for easy readability, general industrial applications

PRODUCT SPECIFICATIONS

Ashcroft® Model No.:	1000
Size:	4½"
Case:	Black painted steel
Ring:	Black painted steel, friction fit
Window:	Plastic
Dial:	Black figures on white background, aluminum
Pointer:	Black, aluminum
Bourdon Tube:	"C"- shaped bronze (Vac-600 psi) Helical bronze (1000 psi-6000 psi)
Movement:	PowerFlex™ with polyester segment
Socket:	Brass
Connection:	¼ NPT lower
Ranges:	Vacuum – 6000 psi and compound
Accuracy:	ASME B40.100, Grade B, ±3-2-3%
Operating Temperature:	-40°F to 150°F, -40°C to 65°C

OPTIONAL FEATURES

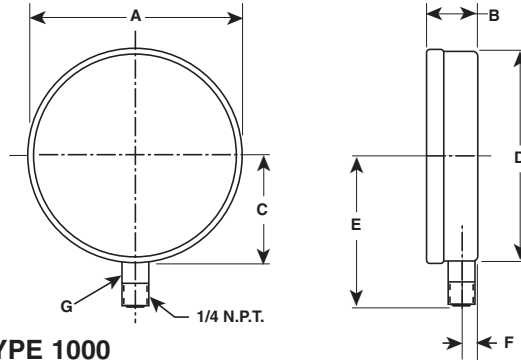
Case:	Case color (other than black)
Window:	Glass
Pointer:	Adjustable
Socket:	Nickel plated Throttle plugs – 0.007," 0.013," 0.020," 0.063" orifices
Others:	Customized dials Chrome ring (Type 1000) Non-standard ranges Special calibration on application

HOW TO ORDER (Typical example)

	45	W	1000	H	02L	XAP	100#
Dial Size: 4½"	_____	_____	_____	_____	_____	_____	_____
Movement: Patented PowerFlex™	_____	_____	_____	_____	_____	_____	_____
Case Type Number: 1000	_____	_____	_____	_____	_____	_____	_____
Connection Material: Brass	_____	_____	_____	_____	_____	_____	_____
Connection Size/Location: ¼ NPT Lower	_____	_____	_____	_____	_____	_____	_____
Option: Adjustable Pointer	_____	_____	_____	_____	_____	_____	_____
Range: 100 psi	_____	_____	_____	_____	_____	_____	_____

Type 1000 Commercial Gauges

DIMENSIONS



TYPE 1000

T-1000 4 1/2"	A	B	C	D	E	F	Wrench Flats G	Weight
Inches	4.75	1.13	2.34	4.69	3.38	0.34	9/16	12 oz.
mm	(121)	(29)	(60)	(119)	(86)	(9)	(14)	