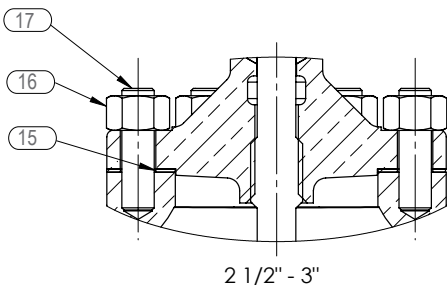
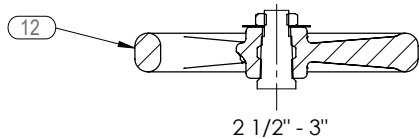
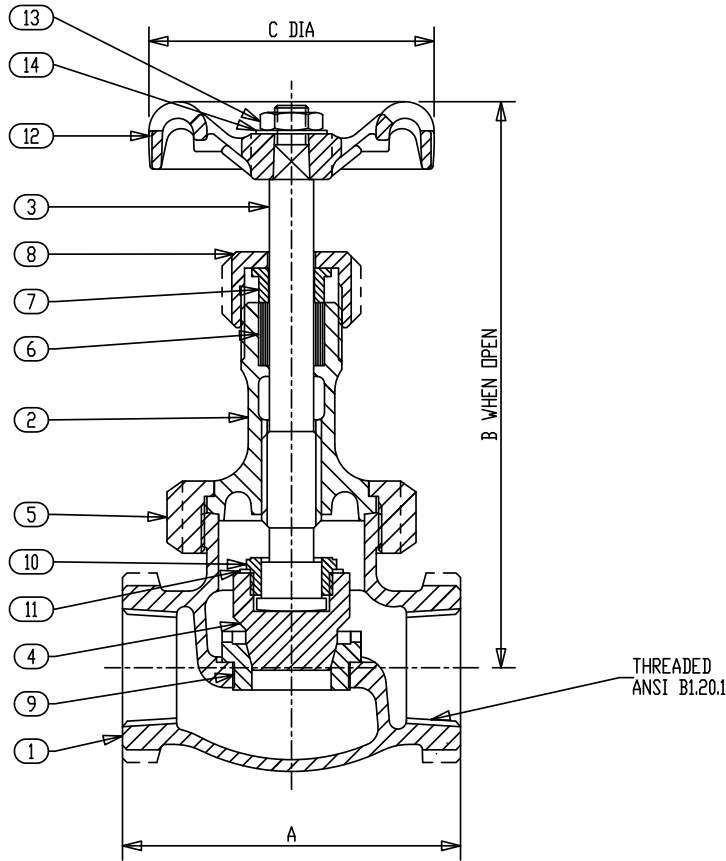


Class 150 • Union Bonnet • SS Disc & Seat Ring • Thrd. Ends

14 1/2 P Globe Valve



Materials of Construction

No.	Description	Material	ASTM Spec.
1	Body	Bronze	B-61 C92200
2	Bonnet	Bronze	B-61 C92200
3	Stem	Copper Silicon Bronze	B-371 C69400
4	Disc	316 Stainless Steel	
5	Union Ring	Bronze	B-62 C83600
6	Packing	Graphite (Asbestos Free)	
7	Gland	Brass	BSEN12164 CW614N
8	Packing Nut	(1/4" - 1 1/2") Brass	BSEN12164 CW614N
		(2" - 3") Bronze	B-62 C83600
9	Body Seat Ring	13% CR Steel	BS970 Pt1 410S21 or BS970 Pt1 431S29
10	Disc Stem Ring	Mang. Bronze	B-371 C69400
11	Lock Washer	Brass	BS2870 - CZ 123
12	Handwheel	Malleable Iron	A-197 F22000
13	Handwheel Nut	Brass	BSEN12164 CW614N
14	ID Plate	Aluminum	
15	Gasket	Synthetic/Glass Fiber with Nitrile Binder	
16	Stud	Steel Cadmium	A-109 C1145
17	Nut	Mild Steel	A-563 Gr-A

See page 8 for Pressure-Temperature Ratings.

Industry Standards

MSS SP-80, Type 3

Dimensions and Weights
Inches (millimeters) - Pounds (kilograms)

Valve Size	Dimensions			Wt.
	B	C	A	
1/4	1.97	4.43	2.13	0.90
	(50)	(113)	(54)	(0.39)
3/8	1.97	4.43	2.13	0.90
	(50)	(113)	(54)	(0.39)
1/2	2.63	4.09	2.25	1.30
	(67)	(104)	(57)	(0.59)
3/4	2.99	5.10	2.98	2.20
	(76)	(130)	(76)	(1.00)
1	3.51	5.58	3.02	3.20
	(89)	(142)	(77)	(1.45)
1 1/4	4.04	6.42	3.68	4.80
	(103)	(163)	(93)	(2.18)
1 1/2	4.57	7.17	4.63	7.10
	(116)	(182)	(118)	(3.22)
2	5.72	7.48	5.24	11.50
	(145)	(190)	(133)	(5.20)
*2 1/2	7.28	8.44	6.97	25.10
	(185)	(214)	(177)	(11.37)
*3	8.70	9.79	7.00	40.50
	(221)	(249)	(178)	(18.38)